**BRIHANMUMBAI MUNICIPAL CORPORATION**

Hydraulic Engineer's Department / O.C. Division

E-TENDER FOR**Name of Work : Electrification work of 11 new toilet blocks in O.C. Division.****Tender ID : 2024_MCGM_1095361_1****BID DOCUMENT**Website: <https://mahatenders.gov.in>

Office of: Dy. Hydraulic Engineer (Operations)
BMC Water Works Yard, Kapurbawdi,
P.O.Sandoz Baug, Kapurbawdi,
Thane (W) - 400607.
Tel.No.022-25431905 / 022-25421094
E-mail : dyheoperations.he@mcmgm.gov.in
ee01operations.he@mcmgm.gov.in

Prepared by**Checked by****Sd/-
Junior Engineer
(Kasheli)****Sd/-
Sub Engineer
(Kasheli)****Sd/-
Assistant Engineer
Water Works
(Kapurbawdi)****Recommended by****Approved by****Sd/-
Executive Engineer
(Operations)****Sd/-
Dy. Hydraulic Engineer
(Operations)**

(This page is intentionally kept blank)

“INDEX”

SECTION	DESCRIPTION	PG-NO.
1	E-TENDER NOTICE	5-8
2	ELIGIBILITY CRITERIA	9-11
3	DISCLAIMER	13-14
4	INTRODUCTION	15-17
5	E-TENDER ONLINE SUBMISSION PROCESS	19-22
6	INSTRUCTIONS TO APPLICANTS	23-40
7	SCOPE OF WORK	41-43
8	BILL OF QUANTITIES	45-56
9	GENERAL CONDITIONS OF CONTRACT	57-92
10	FRAUD AND CORRUPT PRACTICES	93-95
11	PRE-BID MEETING	97-98
12	SPECIAL INSTRUCTIONS TO TENDERERS	99-101
13	LIST OF APPROVED BANKS	103-104
14	APPENDIX	105-139

(This page is intentionally kept blank)

SECTION - 1
E-TENDER NOTICE

BRIHANMUMBAI MUNICIPAL CORPORATION

Hydraulic Engineer's Department / O.C. Division

e-tender notice

Subject: - Electrification work of 11 new toilet blocks in O.C. Division.

Brihanmumbai Municipal Corporation (BMC) invites e-tender on **Percentage rate basis** to appoint Contractor for the aforementioned work from reputed, multidisciplinary engineering organizations i.e. eminent firms, Proprietary/Partnership Firms/ Private Limited Companies/ Public Limited Companies/Companies registered under the Indian companies' act 2013 who are registered with the Brihanmumbai Municipal Corporation (BMC) as contractor in **M&E Class 'B-1' & above/ / Registered Contractor in M&E with Government / Semi Government Organization / Military Engineering Services in equivalent class and category or from the firms dealing in this lines having desired experience and financial requirements mentioned in the Post Qualification Criteria of tender** will be allowed subject to condition that, in case of registered contractors, those contractors who are not registered with BMC will have to apply for registering their firm within three months time period from the award of contract, otherwise their Bid Security i.e. E.M.D (Earnest Money Deposit) will be forfeited/recovered and an amount equal to Registration Fee of respective class will be recovered as penalty.

Bidding Process will comprise of THREE stages.

The application form can be downloaded from e-procurement system of Government of Maharashtra (Mahatenders) (<http://mahatenders.gov.in>). The applicants not registered with BMC are mandated to get registered (Vendor Registration) with BMC for e-tendering process & obtain login credentials to participate in the online bidding process.

To download the application form, for those applicants not having vendor registration, need to apply first for vendor registration at the office of Account Officer (FAR), 3rd floor, Municipal Headquarter.

For e-Tendering registration, enrollment for digital signature certificates and user manual, please refer to respective links provided in 'Tenders' tab. Vendors can get digital signature from any one of the Certifying Authorities (CA's) licensed by controller of certifying authorities namely, Safes crypt, IDRBT, National informatics center, TCS, USTOMS, MTNL, GNFC and e- Mudhra, CA.

Tender No.	Name of work	Estimated Cost (in Rs.)	Contract period
2024_MCGM_10 95361_1	Electrification work of 11 new toilet blocks in O.C. Division.	Rs.10,46,268.00 (Excluding GST)	04 Months (Including Monsoon)

In terms of the 3 stage system of e-tendering, a Bidder shall pay, an Earnest Money Deposit of **Rs.10,500.00 (Rupees Ten Thousands Five Hundreds only) through** payment gateways of GoM on www.mahatenders.gov.in along with its Bid. The Bidder shall upload the scanned copy of online paid EMD alongwith the Bid Submission in Packet A. Any Bid not accompanied by an acceptable Bid Security/EMD shall be rejected by the Employer as a Non-Responsive. The "EMD", is refundable in accordance to the relevant clause of bid document. The e-tender is available on State Govt. official portal (<http://www.mahatenders.gov.in>) as mentioned in the Header Data of the tender.

As per Three Packet systems, the document for Packet A, B & C is to be uploaded by the bidder in vendors' document online in Packet A, B & for Packet C, bidder fill in data in item data tab in service online item via details and quotes his percentage figure variation. Packet A, B & C shall be opened on dates as mentioned in header data. All the responsive and eligible bidders if they so wish can be present at the time of opening of bids, in the

office of Dy.H.E. (Operations). The Packet C shall be opened if bids submission in Packet A, B satisfies/includes all the requirements and same are found acceptable to the Authority.

The Municipal Commissioner reserves the right to reject all or any of the e- tender(s) without assigning any reasons at any stage.

The dates and time for submission and opening the bids are as shown in the Header Data. If there are any changes in the dates the same will be displayed on e-procurement system of Government of Maharashtra (Mahatenders) (<http://mahatenders.gov.in>)

The **Applicants interested for the above referred works may contact the E.E.(Operations)** at the following address on any working day during office hours.

Office of the,
Dy.H.E. (Operations),
B.M.C. Water Works Yard, Kapurbawdi,
P.O. Sandoz Baug, Thane (West) – 400607.
Email : dyheoperations.he@mcgm.gov.in
ee01operations.he@mcgm.gov.in

The applicants are advised to visit the site under reference located at aforesaid address before submitting the bid.

BMC reserves the rights to accept any of the application or reject any or all the application received for above works, without assigning any reasons thereof. The information regarding above subject matter is available on e-procurement system of Government of Maharashtra (Mahatenders) (<http://mahatenders.gov.in>).

Bidders are also advised to refer “Bidders Manual Kit” available at <https://mahatenders.gov.in/nicgep/app?page=BiddersManualKit&service=page> for further details about the e-tendering process.

For any help, in the e-Tendering process, can be availed by dialing help-desk number 022-22046934/22837339 from 11.30 AM to 5.00 PM on all working days . Email: support-eproc@nic.in

SPECIAL NOTE : TENDERERS ARE REQUESTED TO GO THROUGH THE e- TENDER GUIDELINES ON NIC PORTAL (<https://mahatenders.gov.in>). For registration, enrolment for digital signature certificate & user manual, please refer to respective links provided in e-tendering tab. The vendors can get digital signature from any one of the Certifying Authorities (CA's) licensed by the Controller of Certifying Authorities namely Safes crypt, IDRBT, National Informatics Centre, TCS, Customs, MTNL, GNFC and e- Mudhra.

Sd/-
Dy. Hydraulic Engineer
(Operations)

Header Data

Tender No.	2024_MCGM_1095361_1
Name of Organization	Brihanmumbai Municipal Corporation
Subject	Electrification work of 11 new toilet blocks in O.C. Division.
Estimated cost of Tender	Rs.10,46,268.00 (Excluding GST)
Bid Security Deposit/EMD	Rs.10,500/- To be paid online through payment gateways of GoM on http://www.mahatenders.gov.in . The Bidder shall upload the scanned copy of online paid EMD along with the Bid Submission in Packet A.
Scrutiny fee	Rs.3,300/- + 18% GST (9%CGST+9%SGST) payable at CFC after opening of packet A & B but before the schedule date of opening of Packet 'C'.
Date of issue and sale of tender	01.10.2024 from 11:00 Hrs.
Last date & time for sale of tender, Receipt of Bid Security Deposit and Submission of Packet A, B & C (Online)	11.10.2024 up to 16:00 Hrs.
Pre-Bid Meeting	N.A.
Opening of packet A	16.10.2024 at 15:30 hrs.
Opening of packet B	16.10.2024 at 15:35 hrs.
Opening of packet C	23.10.2024 at 15:00 hrs
Address for communication	Office of Dy. Hydraulic Engineer (Operations) BMC Water Works Yard, P.O. Sandoz Baug, Kapurawadi, Thane (W) - 400607. Tel.No.022-25431905 / 022-25421094 E-mail : dyheoperations.he@mcgm.gov.in / ee01operations.he@mcgm.gov.in
Venue for opening of bid	Online in Ex. Engineer (Operations)'s office.

This tender document is not transferable.

The BMC reserves the rights to accept any of the application or reject any or all the application received for above subject without assigning any reason at any stage.

Sd/-
Dy. Hydraulic Engineer
(Operations)

SECTION - 2
ELIGIBILITY CRITERIA

For Regular, Routine & Maintenance Work :

1.1 Technical Capacity:

A) Tenderer should have valid Electrical Contractors License issued by Government Authority and shall be kept valid at least upto completion of work & should submit copy of supervisory license of the Supervisor who would be supervising the work while submitting offer.

AND

B) The tenderer in their own name should have satisfactorily completed the work of similar nature in BMC / any State Govt. / Central Govt. / Semi Govt. / Public Sector Organizations during last seven years ending last day of month previous to the date of issue of tender as a prime contractor (or as a nominated sub-contractor, where the subcontract had involved similar nature of work as described in this bid document, provided further that all other qualification criteria are satisfied). A copy of work order along with its performance certificate duly signed by the officer not below the rank of Executive Engineer of the concerned organization shall be uploaded. The experience of successfully completed work as stated above during last seven (7) years ending last day of month previous to the date of issue of tender should be either of the following.

a) **Three similar completed works each of value not less than the value equal to 30% of estimated cost put to tender i.e. Rs.3,13,881/- for each.**

OR

b) **Two similar completed works each of value not less than the value equal to 35% of estimated cost put to tender i.e. Rs.3,66,194/- for each.**

OR

c) **One similar completed work of value equal and or not less than the 50% of estimated cost put to tender i.e. Rs.5,23,134/-**

The value of completed works shall be brought to current costing level by enhancing the actual value of work at compound rate of 10% per annum; calculated from the date of completion to last date of receipt of applications for tenders.

In case of ongoing works to be considered, the bidder must have received payment of bills of 80% of contract sum of the work / works executed till last day of month previous to the one in which bids are invited.

The tenderer shall upload scanned copies of necessary satisfactory performance certificate along with the work order regarding works carried out as stated above. The certificate shall be issued by the competent authority of the organization complete with the details of Name of work, Contract Cost, Work Order No. & Date of completion, Contract Period & satisfactory completion remarks etc. as mentioned above.

❖ **As the estimated cost is excluding GST, the said values are also excluding GST. While submitting experience/ completion/ performance certificate contractor shall ensure that cost of work done shall be mentioned along with applicable GST. If GST is not mentioned, 18% GST will be deducted from the cost of work done.**

1.2 **Financial capacity:** Achieved an average annual financial turnover as certified by 'Chartered Accountant' equal to 30% of the estimated cost of work i.e Rs.3,13,881/- in last three (3) financial years immediately preceding the Financial Year in which bids are invited.

- To ascertain this, tenderer(s) shall furnish /upload the financial statement (Audited balance sheet) duly certified by Chartered Accountant.
- The turnover can be enhanced by 10% every year to bring the present level.

1.3 **Similar Experience:**

The similar work shall mean, the completed or ongoing works in 'Electrical Wiring Work OR Electrical Repair Work OR Work of providing High mast/ streetlights OR any electrical work'.

A copy of work order along with its performance certificate duly signed by the officer not below the rank of Executive Engineer of the concerned organization shall be uploaded.

(This page is intentionally kept blank)

SECTION 3
DISCLAIMER

DISCLAIMER

The information contained in this e-tender document or provided to Applicant(s), whether verbally or in documentary or any other form, by or on behalf of the Brihanmumbai Municipal Corporation (BMC), hereafter also referred as "The Authority", or any of its employees or advisors, is provided to Applicant(s) on the terms and conditions set out in this e-tender and such other terms and conditions subject to which such information is provided.

This e-tender includes statements, which reflect various assumptions and assessments arrived at by the Brihanmumbai Municipal Corporation (BMC) in relation to the Project. Such assumptions, assessments and statements do not purport to contain all the information that each Applicant may require. This e-tender may not be appropriate for all persons, and it is not possible for the Brihanmumbai Municipal Corporation (BMC), its employees or advisors to consider the investment objectives, financial situation and particular needs of each party who reads or uses this e-tender. The assumptions, assessments, statements and information contained in this e-tender may not be complete, accurate, adequate or correct. Each Applicant should therefore, conduct its own investigations and analysis and should check the accuracy, adequacy, correctness, reliability and completeness of the assumptions, assessments, statements and information contained in this e-tender and obtain independent advice from appropriate sources.

Information provided in this e-tender to the Applicant(s) is on a wide range of matters, some of which may depend upon interpretation of law. The information given is not intended to be an exhaustive account of statutory requirements and should not be regarded as a complete or authoritative statement of law. The Brihanmumbai Municipal Corporation (BMC) accepts no responsibility for the accuracy or otherwise for any interpretation or opinion on law expressed here.

The Brihanmumbai Municipal Corporation (BMC), its employees and advisors make no representation or warranty and shall have no liability to any person, including any Applicant or Bidder, under any law, statute, rules or regulations or tort, principles of restitution or unjust enrichment or otherwise for any loss, damages, cost or expense which may arise from or be incurred or suffered on account of anything contained in this e-tender or otherwise, including the accuracy, adequacy, correctness, completeness or reliability of the e-tender and any assessment, assumption, statement or information contained therein or deemed to form part of this e-tender or arising in any way with pre-qualification of Applicants for participation in the Bidding Process. The Brihanmumbai Municipal Corporation (BMC) also accepts no liability of any nature whether resulting from negligence or otherwise howsoever caused arising from reliance of any Applicant upon the statements contained in this e-tender.

The Brihanmumbai Municipal Corporation (BMC) may, in its absolute discretion but without being under any obligation to do so, update, amend or supplement the information, assessment or assumptions contained in this e-tender.

The issue of this e-tender does not imply that the Brihanmumbai Municipal Corporation (BMC) is bound to select and short-list pre-qualified Applications for Bid Stage or to appoint the selected Bidder or Concessionaire, as the case may be, for the Project and the Brihanmumbai Municipal Corporation (BMC) reserves the right to reject all or any of the Applications or Bids without assigning any reasons whatsoever.

The Applicant shall bear all its costs associated with or relating to the preparation and submission of its Application including but not limited to preparation, copying, postage, delivery fees, expenses associated with any demonstrations or presentations which may be required by The Brihanmumbai Municipal Corporation (BMC) or any other costs incurred in connection with or relating to its Application. All such costs and expenses will remain with the Applicant and the Brihanmumbai Municipal Corporation (BMC) shall not be liable in any manner whatsoever for the same or for any other costs or other expenses incurred by an Applicant in preparation or submission of the Application, regardless of the conduct or outcome of the Bidding Process.

SECTION 4
INTRODUCTION

INTRODUCTION

Background:

Brihanmumbai Municipal Corporation is supplying 3950 MLD water from various sources to Mumbai city. All major sources of water supply to Mumbai City are located in Outside City area i.e. in Thane district. Water from sources to Mumbai City is conveyed through various sizes water trunk mains and tunnel in 70km span in O.C. Division.

Various pressure monitoring chowkies are situated along water mains to carry out regular & routine repair, maintenance and operations works of various water mains and their appurtenances. BMC's maintenance staffs are appointed round the clock for any type of maintenance activities such as operation of valves, attending leakages, isolation work etc related to BMC's water mains. In addition to this, BMC's maintenance staff is also working at Dam office and maintenance chowkies at Modak Sagar Dam, Tansa Dam and Middle Vaitarna Dam.

This chowkies are located at remote locations of Bhiwandi and Thane city. This chowkies are old with no proper toilet facility. In this regards, the work of constructing 11 new toilet blocks at various locations in O.C. Division is being executed. Electrical fittings and fixtures are now required to be provided so as to put these 11 new toilet blocks in use. Therefore, it is necessary to carry out the work of 'Electrification work of 11 new toilet blocks in O.C. Division'.

Detailed list of 11 locations of toilet blocks where electrifications work needed to be carried are as follows –

- 1) BMC's Aghai Chowky, Tal-Shahapur, Dist. Thane.
- 2) BMC's Kiravali Chowky, Kiravali Gaon, Dist. Thane.
- 3) Near Dam Entrance Gate at Middle Vaitarna Dam, Kochale gaon, Dist. Palghar.
- 4) Near Dam Top at Middle Vaitarna Dam, Kochale gaon, Dist. Palghar.
- 5) Near Downstream side of Middle Vaitarna Dam, Kochale gaon, Dist. Palghar.
- 6) Near Dam office premises at Tansa Dam, Tal-Shahapur, Dist. Thane.
- 7) Near Hydro plant at Tansa Dam, Tal-Shahapur, Dist. Thane.
- 8) Near Wireless room at Tansa Dam, Tal-Shahapur, Dist. Thane.
- 9) BMC's Jambhivali Chowky, Jambhivali Gaon, Tal-Shahapur, Dist. Thane.
- 10) Near Workshop at Modaksagar Dam, Tembha, Tal-Shahapur, Dist. Thane.
- 11) Near Dam office at Modaksagar Dam, Tembha, Tal-Shahapur, Dist. Thane.

Scope of Work

The activities involved in the scope for the work of 'Electrification work of 11 new toilet blocks in O.C. Division' in accordance with B.M.C.'s tender specification and requirements are as follows:

- 1) Procurement of Electrical fittings, fixtures, wires, & accessories required as per B.M.C.'s specifications and BOQ.
- 2) Laying of cables, hume pipes by excavation as per B.M.C.'s specifications and as instructed by B.M.C. Engineer In-charge.

- 3) Providing Point wiring, DP MCBs, Cables, Junction box, etc. as instructed by B.M.C. Engineer In-charge.
- 4) Providing earth pits for earthing along with all its necessary arrangement as per B.M.C. specifications and as instructed by B.M.C. Engineer In-charge.
- 5) Providing cable end terminations with necessary connection as instructed by B.M.C. Engineer In-charge.
- 6) Providing and installation of LED Tube light fixtures, Outdoor LED fixtures & bulk head fittings as per B.M.C.'s specifications and as instructed by B.M.C. Engineer In-charge.
- 7) Providing and installation of Exhaust Fans as per B.M.C.'s specifications and as instructed by B.M.C. Engineer In-charge.
- 8) Making all the necessary arrangements/ Equipments / Tools whatsoever required for fixing of all fittings and installation of outdoor/ indoor lights and testing & commissioning of the same.
- 9) Supplying and Laying GI pipeline by excavation also fixing valves and other fittings as per B.M.C.'s specifications and as instructed by B.M.C. Engineer In-charge.
- 10) The bidder shall bear all the charges towards transportation, toll or any other charges levied by govt. or semi govt. organization.
- 11) The contractor shall take all safety measures / precautions while carrying out this work at site. The Contractor will be held responsible for any mishap or incident occurred at site.
- 12) The contractor must quote rate considering all the labour charges, allowances, provident fund, ESIC, bonus, insurances, service charges, etc. No extra payment will be paid.
- 13) Contractor shall strictly follow the Minimum Wages Act.
- 14) Contractor is responsible for submission of ESIC, provident fund, etc according to the terms and conditions of Labour Commissioner.
- 15) Contractor must ensure that all the staff is well groomed, well behaved & well-disciplined at all times.

Contractor will be liable for penalty if any instructions are not followed or work is not done as per the satisfaction of the B.M.C. engineer in-charge.

Note :-

- Bidders are advised to inspect the site before submission of tender.
- All the works contained in the scope of work shall be carried out strictly as per the relevant specifications applicable as attached or referred in this e-tender document.
- BMC's New Unified Schedule of Rates are applicable which are available on BMC portal: <http://portal.mcgm.gov.in>.
- Any other material tests during execution of work suggested by consultant / Engr. In charge should be carried by the contractor at their own cost.
- Bidder should go through specification given on BMC portal and execute the work as per BMC terms and conditions, GCC and instruction given by competent officer time to time.

(This page is intentionally kept blank)

SECTION 5

E-TENDERING ONLINE

SUBMISSION PROCESS

E-TENDERING ONLINE SUBMISSION PROCESS

1.	Thee-Tendering process of BMC is enabled through NIC"s Mahatenders Portal https://mahatenders.gov.in/nicgep/app
2.	All the tender notices including e-Tender notices will be published on NIC's Mahatender Portal https://mahatenders.gov.in/nicgep/app
3.	All the information documents are published under the NIC's Mahatender portal.
4.	All the interested vendors are required to be registered with NIC's Mahatender portal for e-Tendering process. Vendors not registered with NIC's Mahatender portal can apply online by clicking the link online registration section of NIC's Mahatenderportal." https://mahatenders.gov.in/nicgep/app?component=%24WebHomeBorder.%24WebRightMenu.%24DirectLink&page=Home & service=direct & session=T "
5.	Manual offers sent by post/Fax or in person will not be accepted against e-tenders even if these are submitted on the Firm's letter head and received in time. All such manual offers shall be considered as invalid offers and shall be rejected summarily without any Consideration.
6.	Please read the tender document carefully "Instructions and Articles of Agreement" for supply of general items. All documents that are required to be submitted as part of eligible & technical bid, need to be uploaded in the Packets provided for this purpose and Commercial bid need to be filled online.
7.	This document (Instructions to vendors) and the 'Articles of Agreement' document which are available in the tender document make part of all tender documents unless stated otherwise In the tender document
8.	Affixing of digital signature for the bid document while submitting the bid, shall be deemed to mean acceptance of the terms and conditions contained in the tender document as well as confirmation of the bid/bids offered by the end or which shall include acceptance of special Directions/ terms and conditions if any, incorporated.
9.	All the documents and data submitted by vendors online shall be digitally signed. The system will prompt for digital signature certificate. It is mandatory for the vendors willing to participate in tender process to procure digital signature certificate of class-2/ class-3andCompanyType.
10.	Digital Signature Certificates: Vendors can procure digital signature certificate from any of the certifying authorities (CA) in India. However, for the convenience of the vendors, a team from one of the certifying authorities is made available to help them for obtaining digital Signature certificates. Interested vendors may approach helpdesk for details.
11.	The browser settings required for digitally signing the uploaded documents are listed in the Link "Site Compatibility" available on Mahatenders Portal
12.	In order to participate in the tender process, the registered vendors need to follow the steps given in the section "Guidelines for hassle free Bid submission" and "Bidders Manual Kit-Open Source Software Link" available on Mahatender portal
	Open thee-Tendering application by clicking the link available in on https://www.mahatenders.gov.in/

	Make the Browser Settings as per the guidance available in “Site Compatibility” section. Carryout the necessary settings and root certificates installation as mentioned in the document. Vendors to note that the computer user should have administrative rights to the computer to be able to work with-Tendering application.
	Login to the application with your credentials and follow the instructions given in the document “User Manual for Vendors-Bidding Process” which is available in the “For Partners” section of Mahatender Portal.
	Make payment of tender price online and download the tender document and other Relevant information documents.
	Pay EMD and other charges, where applicable, as per the instructions given in the Tender Notice and /or Tender Document.
	Upload the administrative & technical bid documents. System will prompt for digital Signature certificate while uploading the document.
	Ensure that documents are uploaded properly by downloading them after uploading.
	Submitting the commercial bid by filing in the values on the screen. All the inputs Given on this screen need to be digitally signed.
	The administrative, technical and commercial bids can be submitted only online on or Before the due date and due time mentioned for submission of bids.
	The bids can be modified till the end date and time for bid submission. However, if a New version of a document is to be uploaded please ensure to delete the old version.
	Ensure that bid is submitted by ensuring that the “status” of the bid in the initial bids Listing screen is “Bid submitted”.
13.	Vendors should ensure to submit their bids well in advance before the due date and due time. Vendors trying to submit the bid at last moment just before due date and due time and failing to do so due to system problems at their end, Internet problems, User Id locking problems etc shall note that no complaints in this regard will be entertained.
14.	It is the responsibility of they endorse to maintain their computers, which are used for submitting their bids, free of viruses, all types of malware etc. by installing appropriate anti-virus software and regularly updating the same with virus free signatures etc. Vendors should Scan all the documents before uploading the same.
15.	The administrative, technical and commercial evaluation documents will be available for all The participating vendors after completion of the evaluation.
16.	Additional information can be availed by referring to FAQs in thee-Procurement section of Mahatender Portal.
17.	For any help, in thee-Tendering process, can be availed by dialing help-desk number 022-24811275/76 (BMC IT Cell) from 10.30 AM to 6.00PM on all working days of BMC.
	Email support- Working hours 10.00 AM to 6.00 PM (Monday to Friday) Tele Support- Working hours 10.00 AM to 6.00 PM (Monday to Friday) NOTE- Support will not be available on Public Holiday & Saturday-Sunday

SPECIAL NOTE:

In order to participate in the tender process, the registered vendors need to follow the steps given in the section "Guidelines for hassle free Bid submission" and "Bidders Manual Kit - Open Source Software Link" available on Mahatenders portal

For registration, enrolment for digital signature certificate & user manual, please refer to respective links provided in e-tendering tab. The vendors can get digital signature from anyone of the Certifying Authorities (CA"s) licensed by the Controller of Certifying Authorities namely Safe script, IDRBT, National Informatics Centre, TCS, Customs, MTNL, GNFC and e-Mudhra.

SECTION 6
INSTRUCTIONS TO
APPLICANTS

INSTRUCTIONS TO APPLICANTS

A) Scope of Application

The Authority wishes to receive Applications for Qualification in order to SELECT experienced and capable Applicants for the Bid Stage.

B) Eligibility of Applicants

Brihanmumbai Municipal Corporation (BMC) invites e-tender on **Percentage Rate basis** to appoint Contractor for the aforementioned work from reputed, multidisciplinary engineering organizations i.e. eminent firms, Proprietary/Partnership Firms/ Private Limited Companies/ Public Limited Companies/Companies registered under the Indian companies' act 2013 who are registered with the Brihanmumbai Municipal Corporation (BMC) as contractor in **M&E Class 'B-1' & above / Registered Contractor in M&E with Government / Semi Government Organization / Military Engineering Services in equivalent class and category or from the firms dealing in this lines having desired experience and financial requirements mentioned in the Post Qualification Criteria of tender** will be allowed subject to condition that, in case of registered contractors, those contractors who are not registered with BMC will have to apply for registering their firm within three months of time period from the award of contract, otherwise their Bid Security i.e. E.M.D (Earnest Money Deposit) will be forfeited/recovered and an amount equal to Registration Fee of respective class will be recovered as penalty.

To be eligible for pre-qualification and short-listing, an Applicant shall fulfill the following conditions of eligibility:

1.2 Technical Capacity:

A) Tenderer should have valid Electrical Contractors License issued by Government Authority and shall be kept valid at least upto completion of work & should submit copy of supervisory license of the Supervisor who would be supervising the work while submitting offer.

AND

B) The tenderer in their own name should have satisfactorily completed the work of similar nature in BMC / any State Govt. / Central Govt. / Semi Govt. / Public Sector Organizations during last seven years ending last day of month previous to the date of issue of tender as a prime contractor (or as a nominated sub-contractor, where the subcontract had involved similar nature of work as described in this bid document, provided further that all other qualification criteria are satisfied). A copy of work order along with its performance certificate duly signed by the officer not below the rank of Executive Engineer of the concerned organization shall be uploaded. The experience of successfully completed work as stated above during last seven (7) years ending last day of month previous to the date of issue of tender should be either of the following.

a) **Three similar completed works each of value not less than the value equal to 30% of estimated cost put to tender i.e. Rs.3,13,881/- for each.**

OR

b) **Two similar completed works each of value not less than the value equal to 35% of estimated cost put to tender i.e. Rs.3,66,194/- for each.**

OR

- c) **One similar completed work of value equal and or not less than the 50% of estimated cost put to tender i.e. Rs.5,23,134/-**

The value of completed works shall be brought to current costing level by enhancing the actual value of work at compound rate of 10 % per annum; calculated from the date of completion to last date of receipt of applications for tenders.

In case of ongoing works to be considered, the bidder must have received payment of bills of 80% of contract sum of the work / works executed till last day of month previous to the one in which bids are invited.

The tenderer shall upload scanned copies of necessary satisfactory performance certificate along with the work order regarding works carried out as stated above. The certificate shall be issued by the competent authority of the organization complete with the details of Name of work, Contract Cost, Work Order No. & Date of completion, Contract Period & satisfactory completion remarks etc. as mentioned above.

- ❖ **As the estimated cost is excluding GST, the said values are also excluding GST. While submitting experience/ completion/ performance certificate contractor shall ensure that cost of work done shall be mentioned along with applicable GST. If GST is not mentioned, 18% GST will be deducted from the cost of work done.**

1.2 Financial capacity: Achieved an average annual financial turnover as certified by 'Chartered Accountant' equal to 30% of the estimated cost of work i.e **Rs.3,13,881/-** in **last three (3) financial years** immediately preceding the Financial Year in which bids are invited.

- To ascertain this, tenderer(s) shall furnish /upload the financial statement (Audited balance sheet) duly certified by Chartered Accountant.
- The turnover can be enhanced by 10% every year to bring the present level.

1.3 Similar Experience:

The similar work shall mean, the completed or ongoing works in 'Electrical Wiring Work OR Electrical Repair Work OR Work of providing High mast/ streetlights OR any electrical work'.

A copy of work order along with its performance certificate duly signed by the officer not below the rank of Executive Engineer of the concerned organization shall be uploaded.

C) Bid Capacity:

The bid capacity of the prospective bidders will be calculated as under:

Assessed Available Bid Capacity = (A* N* 2 - B)

Where,

A = Maximum value of Civil Engineering works executed in any one year (year means Financial year) during **the last five years** (updated to the price level of the Financial year in which bids are received at a rate of 10% per year) taking into account the completed as well as works in progress.

N = Number of years prescribed for completion of the Project/Works, **excluding monsoon period**, for which these bids are being invited. (E.g. 7 months = 7/12 year) For every intervening monsoon 0.33 shall be added to N. **(Consider N value as 0.33 for this work only)**

B = Value of existing commitments (only allotted works) on the last date of submission of bids as per bidding document and on-going works to be completed during the period of completion of the Project/Works for which these bids are being invited.

Note: The statement showing the value of existing commitments and on-going works as well as the stipulated period of completion remaining for each of the works listed should be attached along with certificates duly signed by the Engineer-in Charge, not below the rank of an Executive Engineer or equivalent.

Even though the bidders meet the above qualifying criteria, they are subject to be disqualified if they have:

- made misleading or false representation in the forms, statements and attachments submitted in proof of the qualification requirements; and/or Record for poor performance such as abandoning the works, not properly completing the contract, inordinate delays in completion, litigation history, or financial failures etc.

D) Equipment Capabilities as required for this work:

The successful Bidder will make the arrangements of the required equipments on the day of commencement or with respect to the progress of the work in phases, as per the instructions of site In-charge. The Bidder shall submit the undertaking for equipment capability and other undertakings as such on a single Rs.500/- stamp paper.

E) Technical Personnel.

The contractor and/or its managerial staff should have qualification/experience appropriate to the function they fulfill. The minimum standard shall be increased by asking that at least one number or more of the contractor or its managerial staff have acquired qualifications or work experience to the needs of the contract. The minimum standard may also state that the person or persons responsible for managing the works must have a minimum of no's of years' experience working on similar nature of projects.

For fixing requirement of Technical Staff as required for this work.

(A) General Guidelines for Fixing Requirement of Technical Staff

Cost of work (Rs in Crore)	Requirement of Staff		Minimum Experience (years)
	Post	Number	
Up to 1.5 Crores	Principal Technical Representative/ Site Engineer	1	B.E.(Electrical) with min. 2 years experience or D.E.E. with min. 5 years experience.

Notes-

- 1 "Cost of work", in table above, shall mean the contract agreement amount of the work.
2. Rate of recovery in case of non-compliance of the clause be stipulated at following rates

Sr. No.	Post	Rate of Recovery
01)	Graduate Engineer	Rs.15,000/-p.m
02)	Diploma Engineer	Rs.15,000/-p.m

3. Nothing extra need to be added while preparing market rate justified amount of the work if stipulation is made as per above recommended scale of technical staff.

4. Requirement of technical staff and their experience can be varied depending upon cost and complexity of the work by competent authority i.e. Chief Engineer with recorded reasons.

5. The failure in providing experienced technical and /professional ability personnel and even ignoring the instruction of the Engineer-in-charge shall be linked to penalization. Such disobeying attitude of the contractor shall also be reported to Vigilance/Registration & Monitoring department.

F) TIME PERIOD OF THE PROJECT:

Entire project should be completed within **04 Months** of time from the date of award of contract **that includes Monsoon**. The time allowed for carrying out the work as entered in the Tender shall be strictly observed by the Contractor and shall be reckoned from the date on which the work order is given to the Contractor. The work shall throughout the stipulated period of the Contract be proceeded with all due diligence as time being deemed to be the essence of the contract on the part of the Contractor. On failing to do so, the Contractor shall pay as compensation an amount which shall be governed as per Clause - 8(e) of Standard General Conditions of Contract. The Contractor should complete the work as per phase given below:

¼ of the work in .. ¼ of the time

½ of the work in .. ½ of the time

¾ of the work in .. ¾ of the time

Full of the work in .. Full of the time

Full work will be completed in **04 Months** including monsoon.

The programme for completion of work shall be a part of the Contract Document in the form of Bar Chart / Gantt chart. The Contractor is supposed to carry out the work and keep the progress as per Bar Chart/GANTT Chart. The Contractor shall complete the work as per the Schedule given in the Contract and the programme submitted by the Contractor.

G. Contract Execution

All required documents for execution of the contract shall be submitted within 30 days from the date of issue of letter of acceptance. If the documents are not submitted within the stipulated time, a penalty of Rs 5000/- per day will be applicable to the contractor. All contract documents need to be duly affixed with stamp duty properly signed along with evidence/proof of payment of security/contract deposit/ within 30 days from the date of letter of acceptance received by him.

H. If the amount of the Contract Deposit to be paid above is not paid within 30 days from the date of issue of Letter of Acceptance, the Tender / Contractor already accepted shall be considered as canceled and legal steps be taken against the contractor for recovery of the amounts.

I. The amount of Security Deposit retained by the BMC shall be released after expiry of period up to which the contractor has agreed to maintain the work in good order is over. In the event of the contractor failing or neglecting to complete the rectification work within the period up to which the contractor has agreed to maintain the work in good order, the amount of security deposit retained by BMC shall be adjusted towards the excess cost incurred by the Department on rectification work.

J. Action when whole of security deposit is forfeited: In any case in which under any Clause of this contract, the contractor shall have rendered himself liable to pay compensation amounting to the whole of this security deposit whether paid in one sum or deducted by installments or in the case of abandonment of the work owing to serious illness or death of the contractor or any other cause, the Engineer on behalf of the Municipal Commissioner shall have power to adopt any of the following process, as he may deem best suited to the interest of BMC - (a) To rescind the contract (for which recession notice in writing to the contractor under the head of Executive Engineer shall be conclusive evidence) and in that case, the security deposit of the contract shall stand forfeited and be absolutely at the disposal of BMC. (b) To carry out the

work or any part of the work departmentally debiting the contractor with the cost of the work, expenditure incurred on tools and plant, and charges on additional supervisory staff including the cost of work-charged establishment employed for getting the un-executed part of the work completed and crediting him with the value of the work done departmentally in all respects in the same manner and at the same rates as if it had been carried out by the contractor under the terms of his contract. The certificate of the Executive Engineer as to the costs and other allied expenses so incurred and as to the value of the work so done departmentally shall be final and conclusive against the contractor. (c) To order that the work of the contractor be measured up and to take such part thereof as shall be un-executed out of his hands, and to give it to another contractor to complete, in which case all expenses incurred on advertisement for fixing a new contracting agency, additional supervisory staff including the cost of work charged establishment and the cost of the work executed by the new contract agency will be debited to the contractor and the value of the work done or executed through the new contractor shall be credited to the contractor in all respects and in the same manner and at the same rates as if it had been carried out by the contractor under the terms of his contract. The certificate of the Executive Engineer as to all the cost of the work and other expenses incurred as aforesaid for or in getting the un-executed work done by the new contractor and as to the value of the work so done shall be final and conclusive against the contractor.

In case the contract shall be rescinded under Clause (a) above, the contractor shall not be entitled to recover or be paid any sum for any work therefor actually performed by him under this contract unless and until the Executive Engineer shall have certified in writing the performance of such work and the amount payable to him in respect thereof and he shall only be entitled to be paid the amount so certified. In the event of either of the courses referred to in Clause (b) or (c) being adopted and the cost of the work executed departmentally or through a new contractor and other allied expenses exceeding the value of such work credited to the contractors amount of excess shall be deducted from any money due to the contractor, by BMC under the contract or otherwise, howsoever, or from his security deposit or the sale proceeds thereof provided, however, the contractor shall have no claim against BMC even if the certified value of the work done departmentally or through a new contractor exceeds the certified cost of such work and allied expenses, provided always that whichever of the three courses mentioned in clauses (a), (b) or (c) is adopted by the Executive Engineer, the contractor shall have no claim to compensation for any loss sustained by him by reason of his having purchase or procured any materials or entered in to any engagements or made any advance on account of or with a view to the execution of the work or the performance of the contract.

K. Contract may be rescinded and security deposit forfeited for bribing a public officer or if contractor becomes insolvent

If the contractor assigns or sublets his contracts or attempt so to do, or become insolvent or commence any proceeding to get himself adjudicated and insolvent or make any composition with his creditors, or attempt so to do or if bribe, gratuity, gift, loan, perquisite, reward or advantage, pecuniary or otherwise, shall either directly or indirectly be given promised or offered by the contractor or any of his servants or agents through any public officer, or person in the employ of BMC/Govt. in any way relating to his office or employment, or if any such officer or person shall become in any way directly or indirectly interested in the contract the Engineer In-charge may thereupon, by notice in writing rescind the contract and the Security Deposit of the Contractor shall thereupon stand forfeited and be absolutely at the disposal of BMC and the same consequences shall ensure as if the contract had been rescinded under above clause J hereof; and in addition the contractor shall not be entitled to recover or be paid for any work therefore actually performed under the contract.

Submission of Tenders

PACKET – A

The Packet 'A' shall contain scanned certified copies of the following documents

Scrutiny of this packet will be done strictly with reference to only the scanned copies of Documents uploaded online in packet 'A'

- a) In case of registered contractors, Valid Registration Certificate.
- b) Valid Electrical Contractors License issued by Government Authority and supervisory license of the Supervisor who would be supervising the work while submitting offer.
- c) Valid Bank Solvency Certificate of Minimum Solvency amount as governed by Registration Rules in force for respective Class of Contractor for Civil / M&E works.
- d) A document in support of Registration under 'GST' Act.
- e) Certified copies of valid 'PAN' documents and photographs of the individuals, owners, Karta of Hindu undivided Family, firms, private limited companies, registered co-operative societies, partners of partnership firms and at least two Directors, if number of Directors are more than two in case of Private Limited Companies, as the case may be. However, in case of Public limited companies, Semi Government Undertakings, Government Undertakings, no 'PAN' documents will be insisted.
- f) Latest Partnership Deed in case of Partnership firm duly registered with Chief Accountant (Treasury) of BMC.
- g) The Register power of attorney shall be submitted in the name of person who is submitting the bid, if applicable.
- h) The bidder shall pay EMD/Bid Security through payment gateways of GOM on URL <https://mahatenders.gov.in>. The Bidder shall upload the scanned copy of online paid EMD along with the Bid Submission in Packet A. Any bid not submitted by an acceptable Bid security shall be rejected by the employer as non-responsive.
- i) The bidders shall categorically provide their Email-ID and Vendor no. in packet 'A'.

NOTE:

- ❖ If the tenderer(s) withdraw tender offer during the tender validity period, his entire E.M.D shall be forfeited.
- ❖ If it is found that the tenderer has not submitted required curable documents in Packet "A" then, the shortfalls will be communicated to the tenderer through e-mail only and compliance required to be made within a time period of **three working days** otherwise they will be treated as non-responsive.

PACKET – B

The Packet 'B' shall contain scanned certified copies of the following documents –

- a) The list of similar type of works as stated in this bid document, successfully completed during the last seven years in prescribed proforma, in the role of prime contractor. Information furnished in the prescribed proforma (Proforma – I) shall be supported by the certificate duly self-attested. Documents stating that it has successfully completed the work during the last seven years at least one contract of similar works as stated in this bid document. The bidders shall upload copy of work order along with its performance certificate issued by officer not below the rank of Ex. Engineer.
- b) Annual financial turnover for **preceding three financial years as certified by Chartered Accountant** preceding the Financial Year in which bids are invited. **Copies of Applicants duly audited balance sheet and profit and loss account for the preceding three financial years preceding the Financial Year in which bids are invited.** (Proforma – II)
- c) Documents stating that, it has access to or has available liquid assets, unencumbered assets, lines of credit and other financial means (independent of any contractual advance payment) sufficient to meet the construction cash flow requirements for the subject contract in the event of stoppage, start-up, or other delay in payment, of the minimum 15% of the cost of the work tendered for, net of the tenderer's commitment of other contracts (Certificate from Bankers / C.A./Financial Institution shall be accepted as a evidence).
- d) The bidder shall give undertaking on Rs 500/-stamp paper that it is his/their sole responsibility to arrange the required machineries either owned/on lease or hire basis, at site before start of the work.

The successful bidder shall make the arrangements of the required equipment on the day of commencement or with respect to the progress of the work in phases, as per the instructions of site in charge. To that effect, the bidder will ensure commitment on an undertaking on Rs.500 stamp paper to be submitted along with the Bid in Packet B. However, this condition in no way shall dilute the respective condition in Registration Rules of BMC.

- e) The list of the technical personals with their qualification, working in the tenderer's establishment as per Proforma IV.
- f) Details of works in hand (Proforma VI-A &VI-B) (original), along with copies of work orders & attested copies of percentage of works completed or part thereof.
- g) Statement showing assessed available Bid Capacity.
- h) All the undertaking on Rs.500/- stamp paper as per the proforma in the e-tender.
- i) Undertaking on Rs.500/- stamp paper stating that tenderer is conversant to all site situations and difficulties and has inspected the site personally and accordingly bid is submitted.
- j) Affidavit / undertakings/ Annexures/Proformas as per the enclosed formats
- k) Information on litigation history in which tenderer involved for last five years from the date of submission of bid.
- l) Pre-bid meeting minutes, signed copy of Addendum, if any. **(Not Applicable)**
- m) The tenderers shall upload work plan as per the following outline: **(Not Applicable)**
 - i. GANTT chart/ PERT/ CPM/ Bar chart showing the completion of work within prescribed time period, considering major activities.
 - ii. Organizational set up envisaged by the contractors.
 - iii. Plant & equipment proposed to be deployed for this work if any.
 - iv. Site Offices proposed to be set up.
 - v. A note on how the whole work will be carried out (work plan including methodology).
 - vi. All the activities included in the Scope of Work shall be covered in the work plan.

Note:

- i). The Electrical / Mechanical work shall be got carried out by the civil contractors through the contractors registered with BMC. In Electrical Category. Information about the registered contractors shall be obtained from the office of the Ch.E. (M&E)/ E.E. (Monitoring & Registration Cell). Attested scanned copy of the valid registration certificate in Electrical Category shall be uploaded with the tender along with the undertaking from the registered Electrical Contractor stating his willingness to carry out the tender work. **(Not applicable for this tender)**
- ii). The successful bidder shall submit valid registration certificate under E.S.I.C., Act 1948, if the tenderer has more than 10 employees /persons on his establishment (in case of production by use of energy) and 20 employees/persons on his establishment (in case of production without use of energy) to BMC as and when demanded. In case of less employees/persons mentioned above then the successful bidder has to submit an undertaking to that effect on Rs. 200 stamp paper as per circular u/no. CA/FRD/I/65 of 30.03.2013.
- iii). The successful bidder shall submit valid registration certificate under E.P.F. & M.P., Act 1952, if tenderer has more than 20 employees/persons on his establishment, to BMC as and when demanded. In case if the successful bidder has less employees/persons mentioned above then the successful bidder has to submit an undertaking to that effect on Rs. 200 stamp paper as per circular u/no. CA/FRD/I/44 of 04.01.2013.
- iv). The successful bidder shall submit the signed form of the tender, specification of work if any.

- Imp Note:**
- i) **The bidders who have participated in the tendering process shall pay the applicable scrutiny fee after opening of packet 'A' & 'B' but before the scheduled date of opening of packet 'C'.**
 - ii) **If the tenderer(s) withdraw tender offer during the tender validity period, his entire E.M.D shall be forfeited.**
 - iii) **If it is found that the tenderer has not submitted required documents (curable defects) in Packet 'A' / 'B' then, the shortfalls (curable defects) will be communicated to the tenderer through e-mail only and compliance required to be made within a time period of three working days otherwise they will be treated as non-responsive.**
 - iv) **Maximum 5 shortfalls of curable defects shall be allowed and in case, curable defects are not compiled by bidder within given time period, the bidder shall be treated as 'Non Responsive' & such cases will be informed to Registration and Monitoring Cell. Such non-submission of documents will be considered as 'Intentional Avoidance' and if three or more cases in 12 months are reported, shall be viewed seriously and disciplinary action against the defaulters such as banning/de-registration, etc. will be taken by Registration Cell with due approval of the concerned AMC.**
 - v) **If the bidder is found non-responsive after scrutiny of Packet 'A' / 'B' in such circumstances, the bidder will be made Non-Responsive and Financial Packet 'C' of Non-Responsive bidder will not be opened. However, there will not be any forfeiture of EMD.**
 - vi) **For non-curable defects, the bid will be outrightly rejected and the bidder will be made Non-Responsive and Financial Packet 'C' of such Non-Responsive bidder will not be opened. However, there will not be any forfeiture of EMD.**

PACKET – C

- A) For Percentage Rate Tender: - Online tender filled in either percentage plus or minus (above or below), or at par. (There is no separate provision to quote % in physical form, this is a part in Header Data of online Tendering). For Packet 'C' tenderer(s) will quote his percentage figures online in Mahatender Portal in the online BOQ sheet only. (If entered '0' it will be treated as 'at par'. By default, the value is zero only).
- B) For Item Rate Tender : - Rates of each item/activity to be quoted online only in the field provided in Mahatender Portal in the online BOQ sheet only.

Note:

- i) In case of rebate/premium of 15% and above as quoted by the tenderer, the rate analysis of major items shall be submitted by L1 and L2 bidder after demand notification by e-mail to bidders by Dy.H.E.(Operations) / E.E.(Operations) / concerned head. The format for rate analysis is annexed at Annexure D.
- ii) Rate analysis in prescribed format shall be submitted within 3 working days from the date of communication on email, failing which EMD will be forfeited, and the bid will be rejected, and next successful Responsive bidder will be considered thereafter, negotiation will be done with the said successive/ responsive bidder with respect to his quoted rate.
- iii) In case of non-workable rate analysis and misleading information submitted by the bidder, total EMD shall be forfeited and bid will be rejected.

Scrutiny Fees

(As per applicable circular in force at that time)

The bidders who have participated in the tendering process shall pay the applicable scrutiny fee after opening of packet 'A' & 'B' but before the scheduled date of opening of packet 'C'. (Refer Circular no. CA/FRG/03 dtd.11.05.2023 and CA/FRG/18 dtd.27.02.2024)

Sr. No.	Estimated cost (in Rs.)	Scrutiny fees (in Rs.)
1	Upto Rs.3,00,000/-	Rs.330/- + 18% GST
2	Rs.3,00,001/- to Rs.5,00,000/-	Rs.660/- + 18% GST
3	Rs.5,00,001/- to Rs.10,00,000/-	Rs.1,320/- + 18% GST
4	Rs.10,00,001/- to Rs.25,00,000/-	Rs.3,300/- + 18% GST
5	Rs.25,00,001/- to Rs.50,00,000/-	Rs.6,600/- + 18% GST
6	Rs.50,00,001/- to Rs.1,00,00,000/-	Rs.13,200/- + 18% GST
7	Rs.1,00,00,001/- to Rs.25,00,00,000/-	Rs.16,500/- + 18% GST
8	Above Rs.25,00,00,001/-	Rs.27,500/- + 18% GST

Tax

Provisions incorporated in circulars under no. प्र.ले./वित्त/प्रकल्प/शहर/17 dtd. 06.09.2017, प्र.ले./वित्त/प्रकल्प/शहर/19 dtd.15.09.2017 and प्र.ले./वित्त/प्रकल्प/28 Dtd.28.03.2023 are attached herewith in the Draft Tender.(Circular)

The Welfare cess as applicable as per the government resolution under B.C.A./2009/No.108/Kamgar 7-A, Mantralaya Mumbai 32 dated 17.06.2010 shall be recovered from the contractor's bill.

The tenderer shall quote inclusive of all taxes other than GST (excluding GST), levies/cess etc. as applicable at the time of bid submission. GST as applicable shall be paid separately on submission of bids/ invoice

Input tax credit of GST as available with the bidder will not be claim separately by BMC. However, while quoting the rates benefit of Input Tax Credit or Exemptions shall be passed on to the BMC by way of equivalent reduction in quoted price.

IRREVOCABLE UNDERTAKING

ANNEXURE-E

The Lowest bidder have to submit Irrevocable undertaking (Annexure-A(I)) as per CA finance circular U/No. CA/Fin/Project/19 dtd 15.09.2017 after opening of C-Packet on Rs. 500 stamp paper. The same will be communicated to the contractor through email. The documents shall be certified by the Gazette Officer or Notarized by the Notary, appointed by the Government of Maharashtra.

BID SECURITY OR EMD

1. Mode of Payment of EMD:-

- The Bidder shall furnish, as part of the Bid, Bid Security/EMD, in the amount specified in the Bid Data Sheet. This bid security shall be in favor of the authority mentioned in the Bid Data Sheet and shall be valid till the validity of the bid.
- While submitting duly filled tender document on mahatender, a tenderer needs to pay the entire amount of EMD through payment gateways of GoM on URL <https://mahatenders.gov.in>. The bidder shall upload scan copy of online paid EMD along with the bid submission in packet 'A'.
- Any bid not submitted by an acceptable Bid security shall be rejected by the employer as non-responsive.

2. If Non-responsive:-

If the bidder is found non-responsive after scrutiny of packet A/B, in such circumstances, **the bidder will be made non-responsive and financial packet 'C' of non-responsive bidder will be not be opened. However, there will not be any forfeiture of EMD.**

3. Shortfalls:-

1) Maximum 5 shortfalls of curable defects shall be allowed and in case, curable defects are not compiled by bidder within given time period, the bidder shall be treated as '**Non-responsive**' & such cases will be informed to Registration and Monitoring Cell. Such non-submission of documents will be considered as 'Intentional Avoidance' and if three or more cases in 12 months are reported, shall be viewed seriously and disciplinary action against the defaulters such as banning/de-registration, etc. shall be taken by the registration cell with due approval of the concerned AMC.

2. No rejections and forfeiture shall be done in case of curable defects. For non-curable defects, bid will be liable for rejection.

Refund of EMD:-

- Except successful bidder all other unsuccessful bidder's 100% EMD paid online will be refunded automatically.

- The Bid Security of the successful Bidder will be discharged when the Bidder has signed the Agreement and/or furnished the required Security Deposits as elaborated in Standard Bid Document.
- In case, the successful bidder becomes non responsive or successful bidder withdraws the bid or is unwilling to extend the bid validity period, in such circumstances, if L-2 bidder is agreeable to extend the bid validity period and ready to deposit the requisite amount of bid security/ EMD and ASD to the department within the stipulated time period i.e. 15 days, The department will process further as per normal procedure.
- **The Bid Security may be forfeited:**
 - a) If the Bidder withdraws the Bid after bid opening (opening of technical qualification part of the bid during the period of Bid validity.
 - b) In the case of a successful Bidder, if the Bidder fails within the specified time limit to:
 - i. sign the Agreement; and/or
 - ii. Furnish the required Security Deposits.
 - c) Penalty for non-registration within 3 months.

Note: -

i) Curable Defect shall mean shortfalls in submission such as:

Non-submission of following documents,

- i. Valid Registration Certificate
- ii. Valid Bank Solvency
- iii. GST Registration Certificate
- iv. Certified Copies of PAN documents and photographs of individuals, owners, etc
- v. Partnership Deed and any other documents
- vi. Undertakings & Proformas as mentioned in the tender document.
- vii. Wrong calculation of Bid Capacity.

ii) Non-curable Defect shall mean

- a. In-adequate submission of EMD/ASD amount,
- b. In-adequacy of technical and financial capacity with respect to Eligibility criteria as stipulated in the tender.
- c. No proper submission of experience certificates and other documents, etc.

BID VALIDITY

- **Bids shall remain valid for a period of not less than one eighty (180) days after the deadline date for bid submission specified in Bid Data Sheet. A bid valid for a shorter period shall be rejected by the Employer as non-responsive.**
- In exceptional circumstances, prior to expiry of the original time limit, the Employer may request that the bidders may extend the period of validity for a specified additional period. The request and the bidders' responses shall be made in writing or by cable. A bidder may refuse the request without forfeiting his Bid Security. A bidder agreeing to the re-quest will not be required or permitted to modify his bid, but will be required to extend the validity of his bid security for a period of the extension.

DEFECT LIABILITY PERIOD

- The Contractor is expected to carry out the construction work in Workmen like manner so as to meet the requirement and specification for the project. It is expected that the Workmanship and materials will be reasonably fit for the purpose for which they are required.
- Defects or defective work is where standard and quality of workmanship and materials as specified in the contract is deficient. Defect is defined as a failure of the completed project to satisfy the express or implied quality or quantity obligations of the construction contract. Defective construction works are as the works which fail short of complying with the express descriptions or requirements of the contract, especially any drawings or specifications with any implied terms and conditions as to its quality, workmanship, durability, aesthetic, performance or design. Defects in construction projects are attributable to various reasons.
- Some of the defects are structural defects results in cracks or collapse of faulty defective plumbing, inadequate or faulty drainage system, inadequate or faulty ventilation, cooling or heating systems, inadequate fire systems etc. The defects could be various on accounts of different reasons for variety of the projects.
- The Engineering In charge/Project Officer shall issue the practical completion certificate for the project. During the Defect Liability Period which commences on completion of the work, the Engineering In charge shall inform or the contractor is expected to be informed of any defective works by the Employer's representative of the defects and make good at contractor's cost with an intention of giving opportunity to the contractor of making good the defects appeared during that period. It is the contractor's obligation under the contract to rectify the defects that appear during Defect Liability Period and the contractor shall within a reasonable time after receipt of such instructions comply with the same at his own cost. The Engineering In charge/Project Officer shall issue a certificate to that effect and completion of making good defects shall be deemed for all the purpose of this contract to have taken place on the day named in such defect liability certificate.
- If defective work or workmanship or design have been knowingly covered-up or concealed so as to constitute fraud, commencement of the Defect Liability Period may be delayed. The decided period may be delayed until discover actually occurs on at least the defect could have been discovered with reasonable diligence, whichever is earlier.
- **The DLP shall be of 3 years.**
- Also, in case of defect, the Engineer shall give notice to the Contractor of any Defects before the end of the Defects Liability Period, which begins at. The Defects Liability Period shall be extended for as long as Defects remain to be corrected. Every time notice of Defect/Defects is given; the Contractor shall correct the notified Defect/Defects within the duration of time specified by the Engineer's notice. The Engineer may issue notice to the Contractor to carry out removal of defects or deficiencies, if any, noticed in his inspection, or brought to his notice. The Contractor shall remove the defects and deficiencies within the period specified in the notice and submit to the Engineer a compliance report.
- It is the Completion Stage when the contractor has completed all of the works and fixed all of the defects that were on the list of issue by Engineer-in-charge. When this happens, the engineer must issue a 'Certificate of Completion'. On the issue of 'Certificate of Completion', the 'Defect Liability Period 'starts. The contractor also must issue a 'Certificate statement' as an acknowledgment to the engineer not later than 14 days after the 'Certificate of Completion' has been issued. During the 'Defect Liability Period', the contractor has to obey all written instructions from the engineer to carryout repairs and fix any defects which appear in the Permanent Works. If the contractor does not due to his own faults finish the repair works or fix the defects by the end of 'Defect Liability Period', the 'Defect Liability Period' will continue until all works instructed by engineer is done.

SECURITY DEPOSIT AND PERFORMANCE GUARANTEE

A. Security Deposit

The security deposit shall mean and comprise of

- I) Contract Deposit and
- II) Retention Money.

I) Contract Deposit – The successful tenderer, here after referred to as the contractor shall pay an amount equal to two (2) percent of the contract sum shall be paid within thirty days from the date of issue of letter of acceptance. The said contract deposit shall be paid in the form of Demand Draft (D.D) only.

II) Retention Money – (Not applicable for this tender)

The retention money equal to 15.00% (Fifteen percent) of the Contract Sum will be recovered from the contractors every bill i.e. interim / running / final bill.

B. Additional Security Deposit.

Rebate Quoted by contractor	ASD Applicable
Up to 12% Rebate	No ASD
Rebate above 12.00 % on estimated cost	At 2.00 % of estimated cost for each % rebate & part thereof, in D.D. only.

No additional security deposit will be applicable up to 12 % rebate. For rebate above 12% on estimated cost 2% of estimated cost for each % rebate & part thereof, in D.D. only.

Additional security deposit = $2(X/100) \times$ office estimated cost,

Where X=percentage rebate quoted above 12%

The bidders shall submit the ASD as applicable in the form of Demand Draft, which is to be submitted during office hours minimum one day before schedule date of opening of packet 'C' to respective Head Clerk (Expenditure) of the Engineer in-charge of the HE Division in sealed envelope. If A.S.D. is not applicable then the bidders shall submit a letter mentioning 'ASD is not applicable' on their letter head in sealed envelope.

If the bidders fails to submit the sealed envelope as mentioned above at least one day before schedule date of opening of Packet 'C' within office hours then the EMD of the respective bidders will be forfeited and the company with their Directors/ Partners and other companies with the said directors / Partner may be further debarred from any tendering process for the period of at least 2 years.

C. Performance Guarantee.

The successful tender, here after referred to as the contractor shall pay in the form of "Performance Guarantee" at different rates for different slabs as stated below:

Offer	PG applicable %
For premium, at par and rebate 0 to 12%	PG = 0.92% x contract sum applicable for rebate of 12%
For rebate of 12.01% and more	P.G. = {0.92% x contract sum applicable for rebate of 12%} + (X) x contract sum. Where, X= percentage rebate quoted more than 12%

Note: Contract sum shall mean amount after application of rebate/premium as quoted by the contractor with applicable GST and contingencies and excluding price variation.

The PG shall be paid in one the following forms.

- I) Cash (In case guarantee amount is less than Rs.10,000/-)
- II) Demand Draft (In case guarantee amount is less than Rs.1,00,000/-)
- III) Government securities
- IV) Fixed Deposit Receipts (FDR) of a Schedule Bank.
- V) An electronically issued irrevocable bank guarantee bond of any Schedule bank or in the prescribed form given in Annexure.

Performance Guarantee is applicable over and above the clause of Security Deposit. Performance Guarantee will have to be paid & shall be valid till the defect liability period or finalization of final bill whichever is later.

This deposit will be allowed in the form of I to V as mentioned above and shall be paid within 15 days after receipt of Letter of Acceptance.

Note: Following exceptions shall be adopted for 'Demolition Tenders':

- Irrespective of the offer (Rebate/ at par/ premium), ASD shall be differed and only PG of 10% of contract sum be taken from the successful bidder on award of contract only.
- BMC departments shall ensure to incorporate specific condition regarding above in bid document and e-tender notice.

D. Refund of Security Deposit

I. Refund of Contract Deposit

The Contract Deposit shall be released within 30 days after completion of third year of DLP (in case of 5 years DLP) and after issue of 'Defect Liability Certificate' (in case of 1 or 2 or 3 years DLP) subject to no recoveries are pending against the said work, provided that the Engineer is satisfied that there is no demand outstanding against the Contractor. No claim shall be made against the Balance Contract Deposit after the issue of Defects Liability Certificate.

II. Refund of Retention Money. (Not applicable for this tender)

The Retention Money will be refunded after completion of defect liability period and after issue of "Defect Liability Certificate" (in case of 1 or 3 or 5 years DLP) provided that the Engineer is satisfied that there is no demand outstanding against the Contractor. In the event of different Defects Liability Periods have been specified or become applicable to different sections or parts of the Permanent Works, the said money will be released within 30 days on expiration of such Defects Liability Periods. In the event the Engineer issues a Taking-over Certificate for a section or part of the Permanent Works, only such proposition thereof as the Engineer determines (having regard to the relative value of such section or part of the Works) shall be considered by the Engineer for payment to the Contractor.

III. Refund of Additional Security Deposit.

One-half (50%) of the additional security deposited (ASD) shall be released after the completion of 50% financial progress of the work.

The balance ASD shall be released within 30 days of issue of 'Certificate of Completion' with respect to the whole of the work. In the event the Engineer issues Taking – Over Certificate for a section or a part of the permanent works, only such propositions thereof as the Engineer determines (having regard to the relative value of such section or part of the works shall be considered by the Engineer for Refund of ASD to the contractor.

IV. Refund of Performance Guarantee.

The Deposit on account of performance guarantee shall be released within 30 days of completion of Defects Liability Certificate subject to finalization of final bill whichever is later and no recoveries are pending against the said work, provided that the Engineer is satisfied that there is no demand outstanding against the Contractor.

- ❖ Summary of time of Refund of deposit is tabulated as follows:

Time of Refund for works having 1 or 2 or 3 years DLP:

Deposits refunded after completion of 50% financial progress	Deposits refunded after completion of work	After Completion of DLP (i.e.3 years)
50% ASD	Balance 50% ASD	RM + CD + PG

Time of Refund for works having 5 years DLP:

Deposits refunded after completion of 50% financial progress	Deposits refunded after completion of work	After 3 years of DLP (i.e.3 years)	After Completion of DLP (i.e.5 years)
50% ASD	Balance 50% ASD	CD	RM + PG

Note:

- a) It shall be clearly mentioned that the BG shall be applicable for individual work/contract and clubbing of various contracts of the said contractor will not be allowed. In case of obtaining Bank Guarantee, it is necessary to mention that the same shall be valid further 6 months from the completion of defect liability period/ warranty period.
- b) It shall be the responsibility of the bidder to keep the submitted B.G. "VALID" for the stipulated time period in the tender & in case of its expiry it will attract penalization.
- c) Bank Guarantee should be issued by way of General Undertaking and Guarantee issued on behalf of the Contractor by any of the Nationalized or Scheduled banks or branches of foreign banks operating under Reserve Bank of India regulations located in Mumbai upto Virar & Kalyan. List of approved Banks is appended at the end of Instructions to Bidders (ITB). The Bank Guarantee issued by branches of approved Banks beyond Kalyan and Virar can be accepted only if the said Bank Guarantee is countersigned by the Manager of a Regional Branch of the same bank within the Mumbai City Limit categorically endorsing thereon that the said Bank Guarantee is binding on the endorsing Branch of the Bank or the Bank itself within Mumbai Limits and is liable to be enforced against the said Branch of the Bank or the bank itself in case of default by the Contractors furnishing the Bank Guarantee. The Bank Guarantee shall be renewed as and when required and/or directed from time to time until the Contractor has executed and completed the works and remedied any defects therein.

E. Legal + Stationary Charges: (As per applicable circular in force at that time)

Successful tender shall pay the Legal Charges + Stationary charges as per Circular no. 26206 dt. 31.08.2023

Contract Value	Legal and Stationary Charges
Up to Rs.50,000/-	NIL
Rs.50,001/- to 1,00,00,000/-	0.10% of the contract price (rounded to the nearest hundredth) plus 18% GST (minimum Rs.1000/- plus GST and maximum Rs.10000/- plus GST)
Rs.1,00,00,001/- to 10,00,00,000/-	For contract amounts exceeding ₹1,00,00,000/-, an additional ₹10,000/- up to ₹1,00,00,000/- will incur a 0.05% rate (compared to the subsequent slab). Goods and services exceeding ₹10,00,000 will have an 18% rate.
Rs.10,00,00,001/- onwards	For contract amounts up to ₹10,00,00,000/-, an additional ₹55,000/- beyond ₹10,00,00,000/- will incur a 0.01% rate (compared to the subsequent slab). Goods and services exceeding ₹10,00,000 will have an 18% rate

The tenderers are requested to note that stationary charges as given in the table above will be recovered from the successful tenderer for supply of requisite prescribed forms for preparing certificate bills in respect of the work.

F. Stamp Duty: (As per applicable circular in force at that time)

It shall be incumbent on the successful tenderer to pay stamp duty on the contract.

- i. As per the provision made in Article 63, Schedule I of Bombay Stamp Act 1958, stamp duty is payable for "works contract" that is to say, a contract for works and labour or services involving transfer of property in goods (whether as goods or in some other form) in its execution and includes a sub-contract, as under :

1	Where the amount or value set forth in a such contract does not exceeds Rs. Ten Lakhs	Five hundred Rupees Stamp Duty.
2	Where it exceeds Rupees Ten Lakhs	Five hundred Rupees Plus 0.1% of the amount above rupees Ten Lac subject to the maximum of Rs. Twenty Five Lac stamp duty.
3	Bank Guarantee: As per the article 54 read with 40 (b) of stamp duty act, stamp duty of 0.5% will be applicable to the all bank guarantee submitted also which are required to be renewed after expiry of time period.	0.5%

- ii. The successful bidder shall enter into a contract agreement with B.M.C. within 30 days from the date of issue of Work Order and the same should be adjudicated for payment of Stamp Duty by the successful bidder.
- iii. Further shortfall if any, in amount of stamp duty paid as against prescribed amount for the documents executed in Mumbai City & Mumbai Suburban District be recovered from the concerned work contractors and to deposit the deficit or unpaid Stamp Duty and penalty by two separate Demand Draft or Pay Order in favour of "Superintendent of Stamp, Mumbai" within 15 days from intimation thereof.

iv. All legal charges and incidental expenses in this respect shall be borne and paid by the successful tenderer.

Note: The stamp duty is acceptable in the form of Stamp, Bond, and Franking, e- Stamp, MTR 6 & E-SBTR. The stamp duty payable in the form of e-Stamp, MTR 6 & E-SBTR should be defaced by the accepting authority. As per article 54 read with 40(b) of stamp duty act, stamp duty of 0.5% will be applicable to all bank guarantee submitted and also which are required to be renewed after expiry of time period.

IMPORTANT DIRECTIONS

1. All the information uploaded shall be supported by the corroborative documents in absence of which the information uploaded will be considered as baseless and not accepted for qualification criteria. All the documents shall be uploaded with proper pagination. The page No. shall be properly mentioned in the relevant places.

The information shall be uploaded in the sequence as asked for with proper indexing etc. The Bidder shall be fully responsible for the correctness of the information uploaded by him.

2. Applicants/Bidders shall refer portal.BMC.gov.in\tenders for "The Manual of Bid-Submission for Percentage Rate/Item Rate Tender Document." The detail guidelines for creation and submission of bid are available in the referred document.

Any queries or request for additional information concerning this TENDER shall be submitted by e-mail to dyheoperations.he@mcgm.gov.in / ee01operations.he@mcgm.gov.in. The subject shall clearly bear the following identification/ title: "Queries/ Request for Additional Information: TENDER for **"Electrification work of 11 new toilet blocks in O. C. Division."** Any changes in mail ID will be intimated on the portal.

3. In case of **Equal Percentage** of lowest bidders (L1), the allotment of work shall be done by giving **48 hrs (2 working days)** from the day of opening of packet C **on same BID-Document number for re-quoting** and such development needs to be done by IT department in BMC's SRM system. **Till such development is made; 'Sealed Bids' shall be called from the bidders quoting the same rates i.e. L1.**

In case of equal percentage of lowest bidders is obtained even after re-quoting, then the successful bidder will be decided by lottery system by Hydraulic Engineer.

The bidder shall need to submit the additional ASD if applicable within 7 days after receipt of notification issued by Hydraulic Engineer.

Also, the Performance Guarantee shall be paid in 15 days after receipt of Letter of Acceptance.

SECTION 7
SCOPE OF WORK

INTRODUCTION

Background:

Brihanmumbai Municipal Corporation is supplying 3950 MLD water from various sources to Mumbai city. All major sources of water supply to Mumbai City are located in Outside City area i.e. in Thane district. Water from sources to Mumbai City is conveyed through various sizes water trunk mains and tunnel in 70km span in O.C. Division.

Various pressure monitoring chowkies are situated along water mains to carry out regular & routine repair, maintenance and operations works of various water mains and their appurtenances. BMC's maintenance staffs are appointed round the clock for any type of maintenance activities such as operation of valves, attending leakages, isolation work etc related to BMC's water mains. In addition to this, BMC's maintenance staff is also working at Dam office and maintenance chowkies at Modak Sagar Dam, Tansa Dam and Middle Vaitarna Dam.

This chowkies are located at remote locations of Bhiwandi and Thane city. This chowkies are old with no proper toilet facility. In this regards, the work of constructing 11 new toilet blocks at various locations in O.C. Division is being executed. Electrical fittings and fixtures are now required to be provided so as to put these 11 new toilet blocks in use. Therefore, it is necessary to carry out the work of 'Electrification work of 11 new toilet blocks in O.C. Division'.

Detailed list of 11 locations of toilet blocks where electrifications work needed to be carried are as follows –

- 1) BMC's Aghai Chowky, Tal-Shahapur, Dist. Thane.
- 2) BMC's Kiravali Chowky, Kiravali Gaon, Dist. Thane.
- 3) Near Dam Entrance Gate at Middle Vaitarna Dam, Kochale gaon, Dist. Palghar.
- 4) Near Dam Top at Middle Vaitarna Dam, Kochale gaon, Dist. Palghar.
- 5) Near Downstream side of Middle Vaitarna Dam, Kochale gaon, Dist. Palghar.
- 6) Near Dam office premises at Tansa Dam, Tal-Shahapur, Dist. Thane.
- 7) Near Hydro plant at Tansa Dam, Tal-Shahapur, Dist. Thane.
- 8) Near Wireless room at Tansa Dam, Tal-Shahapur, Dist. Thane.
- 9) BMC's Jambhivali Chowky, Jambhivali Gaon, Tal-Shahapur, Dist. Thane.
- 10) Near Workshop at Modaksagar Dam, Tembha, Tal-Shahapur, Dist. Thane.
- 11) Near Dam office at Modaksagar Dam, Tembha, Tal-Shahapur, Dist. Thane.

Scope of Work

The activities involved in the scope for the work of 'Electrification work of 11 new toilet blocks in O.C. Division' in accordance with B.M.C.'s tender specification and requirements are as follows:

- 1) Procurement of Electrical fittings, fixtures, wires, & accessories required as per B.M.C.'s specifications and BOQ.
- 2) Laying of cables, hume pipes by excavation as per B.M.C.'s specifications and as instructed by B.M.C. Engineer In-charge.

- 3) Providing Point wiring, DP MCBs, Cables, Junction box, etc. as instructed by B.M.C. Engineer In-charge.
- 4) Providing earth pits for earthing along with all its necessary arrangement as per B.M.C. specifications and as instructed by B.M.C. Engineer In-charge.
- 5) Providing cable end terminations with necessary connection as instructed by B.M.C. Engineer In-charge.
- 6) Providing and installation of LED Tube light fixtures, Outdoor LED fixtures & bulk head fittings as per B.M.C.'s specifications and as instructed by B.M.C. Engineer In-charge.
- 7) Providing and installation of Exhaust Fans as per B.M.C.'s specifications and as instructed by B.M.C. Engineer In-charge.
- 8) Making all the necessary arrangements/ Equipments / Tools whatsoever required for fixing of all fittings and installation of outdoor/ indoor lights and testing & commissioning of the same.
- 9) Supplying and Laying GI pipeline by excavation also fixing valves and other fittings as per B.M.C.'s specifications and as instructed by B.M.C. Engineer In-charge.
- 10) The bidder shall bear all the charges towards transportation, toll or any other charges levied by govt. or semi govt. organization.
- 11) The contractor shall take all safety measures / precautions while carrying out this work at site. The Contractor will be held responsible for any mishap or incident occurred at site.
- 12) The contractor must quote rate considering all the labour charges, allowances, provident fund, ESIC, bonus, insurances, service charges, etc. No extra payment will be paid.
- 13) Contractor shall strictly follow the Minimum Wages Act.
- 14) Contractor is responsible for submission of ESIC, provident fund, etc according to the terms and conditions of Labour Commissioner.
- 15) Contractor must ensure that all the staff is well groomed, well behaved & well-disciplined at all times.

Contractor will be liable for penalty if any instructions are not followed or work is not done as per the satisfaction of the B.M.C. engineer in-charge.

Note :-

- Bidders are advised to inspect the site before submission of tender.
- All the works contained in the scope of work shall be carried out strictly as per the relevant specifications applicable as attached or referred in this e-tender document.
- BMC's New Unified Schedule of Rates are applicable which are available on BMC portal: <http://portal.BMC.gov.in>.
- Any other material tests during execution of work suggested by consultant / Engr. In charge should be carried by the contractor at their own cost.
- Bidder should go through specification given on BMC portal and execute the work as per BMC terms and conditions, GCC and instruction given by competent officer time to time.

(This page is intentionally kept blank)

SECTION 8
BILL OF QUANTITIES

5	R3-ME-2-1-b	1.1 kV grade stranded Al conductor, XLPE insulated, extruded PVC inner and FRLS outer sheathed, galvanised steel round or strip armoured cables 1st category Al armoured cables FRLS outer sheathed- 2C x 4.0 Sq.mm	Mtr					
		Toilet Block's MCB to outside light		11	16			176.00
				Total				176.00
				Say				180.00
6	R3-ME-2-11-c	Cable End Termination For Aluminium Cables : (SP-ME-TS-6) Cable end terminations for LV, XLPE/PVC insulated, PVC sheathed, armoured/unarmoured cables including supply and fixing of Double compression cable glands, stripping of cable insulation, supply and fixing of aluminium lugs for aluminium cables for all phases and crimping the same to the conductor for the following cables. Miscellaneous items like cable lugs, G.I nut - bolts and G.I washers , consumables and other hardware materials as required to make the installation complete, are in the scope. All G.I Nut, bolt and washers shall be HDGI with 80 micron. One set of termination includes gland, lugs for cable core & accessories Cable End Termination For Aluminium Cables – 2C x 10 Sq.mm	SET					
		Toilet Block's MCB to outside light		11	2			22.00
				Total				22.00
				Say				22.00

7	R3-ME-2-11-a	Cable End Termination For Aluminium Cables : (SP-ME-TS-6)Cable end terminations for LV, XLPE/PVC insulated, PVC sheathed, armoured/unarmoured cables including supply and fixing of Double compression cable glands, stripping of cable insulation, supply and fixing of aluminium lugs for aluminium cables for all phases and crimping the same to the conductor for the following cables. Miscellaneous items like cable lugs, G.I nut - bolts and G.I washers , consumables and other hardware materials as required to make the installation complete, are in the scope. All G.I Nut, bolt and washers shall be HDGI with 80 micron. One set of termination includes gland, lugs for cable core & accessories Cable End Termination For Aluminium Cables - 2C x 2.5/4 Sq.mm	SET					
		Toilet Block's MCB to outside light		11	2			22.00
				Total				22.00
				Say				22.00
8	R3-ME-3-1-a	Wiring for circuit/ submain wiring along with earth wire with the following sizes of FR PVC insulated copper conductor wire in surface/ recessed medium class PVC conduit as required 2 X 1.5 sq. mm + 1 X 1.5 sq. mm earth wire in 20mm Conduit	Mtr					
		Upto board		11	5			55.00
				Total				55.00
				Say				55.00
9	R3-ME-4-34-a	INDOOR LED FIXTURES:- Tubelight fixtures 1X 18W	Nos					
				11	3			33.00
				Total				33.00
				Say				33.00

10	R3-ME-10-3-e	Brackets: Swan neck type bracket for fixing HPMV / HPSV lamp fixtures mounting on wall / shed etc. 0.5 to 1.2 Mtrs.	Nos					
		Bracket		11	4			44.00
				Total				44.00
				Say				44.00
11	R3-ME-4-27-d	LED LIGHT FIXTURES (SP-ME-TS-21a): LED Street Light fittings:- Outdoor LED Street Light fittings - 48-60 W	Nos					
		Outside Light		11	4			44.00
				Total				44.00
				Say				44.00
12	R3-ME-10-3-d	Wire guard of MH/Street light/CFL fixture	Nos					
		Outside Light		11	4			44.00
				Total				44.00
				Say				44.00
13	R3-ME-1-20-a	16 SWG G I Junction Box of various sizes For loop in loop out cables. Junction box shall have suitable Nos. of kNosck out for incoming & outgoing cables. Cables shall be terminated in 10A heavy duty connector. Cost of the connector shall be included in the cost of Junction box. Colour shade shall be RAL 7032 Siemens gray as per IS 5. (IP55)50mm x 50mm x 50mm size GI Junction box with kNosck out & 10Amp. Connector block /strip	Nos					
		Junction Box Outside Lights		11	4			44.00
				Total				44.00
				Say				44.00
14	R3-ME-4-34-e	Tubelight fixtures LED Bulkhead fitting						
		2 nos of Toilet Units		11	2			22.00
		Bathroom		11	1			11.00
				Total				33.00
				Say				33.00

15	R3-ME-3-28-a	Point wiring by using FR insulated copper conductors (alongwith same size of FR insulated copper conductor for earthing & 3 plate ceiling rose) using PVC CONDUIT Light / Fan / Ex. fan Points	Each Pt.					
		For Tubelights		11	3			33.00
		For bulkhead fitting in WC and bathroom		11	3			33.00
		Exhaust Fan		11	3			33.00
				Total				99.00
				Say				99.00
16	R3-ME-4-12-h	FANS (SP-ME-TS-28) Exhaust fan of 230mm sweep, 1400RPM, with 450 CFM free air delivery, AC 230V/415V , 50 Hz, single phase / three phase complete with all necessary accessories for completing installation .	Nos					
		W.C.-1		11	1			11.00
		W.C.-2		11	1			11.00
				Total				22.00
				Say				22.00
17	R2-ME-4-12-j	FANS (SP-ME-TS-28) Exhaust fan of 380mm sweep, 900/950RPM, with 1350 CFM free air delivery, AC 230V , 50 Hz, single phase complete with all necessary accessories for completing installation	Nos					
		For Urinals passage		11	1			11.00
				Total				11.00
				Say				11.00
18	R3-ME-7-1-c	Earthing station with 600 mm x 600 mm x 6 mm galvanised iron plate & 50 mm dia. G.I. pipe, 3000mm long GI pipe (Class B or better) earth pit as per IS 3043. The earth pit shall be provided with watering pipe (Class B) with wire meshed funnel, 25x3 GI strip/ / 2X8SWG G.I. wire up to chamber (wire or strip size as per fault level), disconnecting links with 600 x 600 mm (clear) RCC chamber & heavy duty 3mm thick CI chequered plate cover with hinge & stainless steel bolts. Bentonite/	Nos					

		Charcol & Salt shall be provided for earth pits. Excavation, back filling, removal of excess soil is included in the scope						
		For Earthing station		11	1			11.00
			Total					11.00
			Say					11.00
19	R3-ME-2-19-b	Supply and laying of Heavy duty RCC Hume pipe for road crossing, below plinth beam of following size as diameter. Supply and laying Hume pipe -150mm Dia.	Mtr					
		11 nos. of toilet block For laying cable upto toilet block (for 30 rmt)-variable		11	20			220.00
		For crossing pipeline below road portion at new office buildings		2	6			12.00
			Total					232.00
			Say					235.00
20	R3-CS-PS-90-c	Providing and fixing G.I. pipes complete with G.I. fittings including trenching and refilling etc. External work - 25 mm dia nominal bore	Rmt					
		At Middle Vaitarna Dam: From junction of main road & bungalow road to underground storage tank of New Office Building.		1	250			250.00
			Total					250.00
			Say					250.00
21	R3-CS-PS-90-a	Providing and fixing G.I. pipes complete with G.I. fittings including trenching and refilling etc. External work - 15 mm dia nominal bore	Rmt					
		At Middle Vaitarna Dam: Near Dam Entrance Gate. From overhead water tank of new office building to Toilet Block		1	300			300.00
		At Middle Vaitarna Dam: Downstream of Dam near lower gallery adit no.2. From Dam top to toilet block along spillway wall.		1	130			130.00
		At Middle Vaitarna Dam: Downstream of Dam near lower gallery adit no.2. For maintenance staff near Adit no.2		1	5			5.00

		At Middle Vaitarna Dam: Near Dam Entrance Gate. For staff near Security Chowky		1	5			5.00
			Total					440.00
			Say					440.00
22	R3-CS-PS-96-c	Providing and fixing ball valve (brass) of approved quality, High or low pressure, with plastic floats complete :25 mm nominal bore	Each					
		For Middle Vaitarna Dam: On pipeline from junction of main road & bunglow road to underground storage tank of New Office Building		3				3.00
			Total					3.00
			Say					3.00
23	R3-CS-PS-96-a	Providing and fixing ball valve (brass) of approved quality, High or low pressure, with plastic floats complete :15 mm nominal bore	Each					
		At Middle Vaitarna Dam: Near Dam Entrance Gate. On pipeline from overhead water tank of new office building to Toilet Block		3				3.00
		At Middle Vaitarna Dam: Downstream of Dam near lower gallery adit no.2. On pipeline from Dam top to toilet block along spillway wall.		3				3.00
		At Middle Vaitarna Dam: Downstream of Dam near lower gallery adit no.2. On pipeline for maintenance staff near Adit no.2		1				1.00
		At Middle Vaitarna Dam: Near Dam Entrance Gate. On pipeline for staff near Security Chowky		1				1.00
			Total					8.00
			Say					8.00
24	R3-CS-PS-93-a	BRASS FITTINGS Providing and fixing brass bib cock of approved quality 15 mm nominal bore	Each					
		For maintenance and security staff		2				2.00
			Total					2.00
			Say					2.00

BRIHANMUMBAI MUNICIPAL CORPORATION

Hydraulic Engineer's Department/ O.C. Division

Subject: Electrification work of 11 new toilet blocks in O.C. Division.**Bill of Quantities (BOQ)**

Sr. No.	Item No.	Description	Units	Quantity	Rate	Amount
1	R3-ME-2-8	Excavating the trenches and refilling, reinstatement of the same after the cable is laid in approved manner (750 mm deep, 600 mm wide), in all types of soils 1 Cu. Mtr. =2.2 RMT.	Cu. Mtr.	100.00	344	34,400.00
2	R3-ME-1-17-i	Unit rate of 240V/415V, 'C' Curve, 10kA, Miniature circuit breaker suitable for DB mounting complete with connection, testing & commissioning etc. as required. 32A DP MCB	Nos.	11.00	992	10,912.00
3	R3-ME-1-17-h	Unit rate of 240V/415V, 'C' Curve, 10kA, Miniature circuit breaker suitable for DB mounting complete with connection, testing & commissioning etc. as required. 16A/20A DP MCB	Nos.	22.00	992	21,824.00
4	R3-ME-2-1-d	1.1 kV grade stranded Al conductor, XLPE insulated, extruded PVC inner and FRLS outer sheathed, galvanised steel round or strip armoured cables 1st category Al armoured cables FRLS outer sheathed- 2C x 10Sq.mm	Mtr	330.00	101	33,330.00
5	R3-ME-2-1-b	1.1 kV grade stranded Al conductor, XLPE insulated, extruded PVC inner and FRLS outer sheathed, galvanised steel round or strip armoured cables 1st category Al armoured cables FRLS outer sheathed- 2C x 4.0 Sq.mm	Mtr	180.00	69	12,420.00
6	R3-ME-2-11-c	Cable End Termination For Aluminium Cables : (SP-ME-TS-6) Cable end terminations for LV, XLPE/PVC insulated, PVC sheathed, armoured/ unarmoured cables including supply and fixing of Double compression cable glands, stripping of cable insulation, supply and fixing of aluminium	SET	22.00	157	3,454.00

		lugs for aluminium cables for all phases and crimping the same to the conductor for the following cables. Miscellaneous items like cable lugs, G.I nut - bolts and G.I washers , consumables and other hardware materials as required to make the installation complete, are in the scope. All G.I Nut, bolt and washers shall be HDGI with 80 micron. One set of termination includes gland, lugs for cable core & accessories Cable End Termination For Aluminium Cables – 2C x 10 Sq.mm				
7	R3-ME-2-11-a	Cable End Termination For Aluminium Cables : (SP-ME-TS-6) Cable end terminations for LV, XLPE/PVC insulated, PVC sheathed, armoured/ unarmoured cables including supply and fixing of Double compression cable glands, stripping of cable insulation, supply and fixing of aluminium lugs for aluminium cables for all phases and crimping the same to the conductor for the following cables. Miscellaneous items like cable lugs, G.I nut - bolts and G.I washers , consumables and other hardware materials as required to make the installation complete, are in the scope. All G.I Nut, bolt and washers shall be HDGI with 80 micron. One set of termination includes gland, lugs for cable core & accessories Cable End Termination For Aluminium Cables – 2C x 2.5/4 Sq.mm	SET	22.00	111	2,442.00
8	R3-ME-3-1-a	Wiring for circuit/ submain wiring along with earth wire with the following sizes of FR PVC insulated copper conductor wire in surface/ recessed medium class PVC conduit as required 2 X 1.5 sq. mm + 1 X 1.5 sq. mm earth wire in 20mm Conduit	Mtr	55.00	106	5,830.00
9	R3-ME-4-34-a	INDOOR LED FIXTURES:- Tubelight fixtures 1X 18W	Nos	33.00	456	15,048.00

10	R3-ME-10-3-e	Brackets: Swan neck type bracket for fixing HPMV / HPSV lamp fixtures mounting on wall / shed etc. 0.5 to 1.2 Mtrs.	Nos	44.00	979	43,076.00
11	R3-ME-4-27-d	LED LIGHT FIXTURES (SP-ME-TS-21a): LED Street Light fittings:- Outdoor LED Street Light fittings – 48-60 W	Nos	44.00	4506	1,98,264.00
12	R3-ME-10-3-d	Wire guard of MH/Street light/CFL fixture	Nos	44.00	592	26,048.00
13	R3-ME-1-20-a	16 SWG G I Junction Box of various sizes For loop in loop out cables. Junction box shall have suitable Nos. of kNosck out for incoming & outgoing cables. Cables shall be terminated in 10A heavy duty connector. Cost of the connector shall be included in the cost of Junction box. Colour shade shall be RAL 7032 Siemens gray as per IS 5. (IP55)50mm x 50mm x 50mm size GI Junction box with kNosck out & 10Amp. Connector block /strip	Nos	44.00	129	5,676.00
14	R3-ME-4-34-e	Tubelight fixtures LED Bulkhead fitting	Nos	33.00	992	32,736.00
15	R3-ME-3-28-a	Point wiring by using FR insulated copper conductors (alongwith same size of FR insulated copper conductor for earthing & 3 plate ceiling rose) using PVC CONDUIT Light /Fan / Ex. fan Points	Each pt.	99.00	775	76,725.00
16	R3-ME-4-12-h	FANS (SP-ME-TS-28) Exhaust fan of 230mm sweep, 1400RPM, with 450 CFM free air delivery, AC 230V/415V , 50 Hz, single phase / three phase complete with all necessary accessories for completing installation .	Nos	22.00	1751	38,522.00
17	R2-ME-4-12-j	FANS (SP-ME-TS-28) Exhaust fan of 380mm sweep, 900/950RPM, with 1350 CFM free air delivery, AC 230V , 50 Hz, single phase complete with all necessary accessories for completing installation	Nos	11.00	2614	28,754.00
18	R3-ME-7-1-c	Earthing station with 600 mm x 600 mm x 6 mm galvanised iron plate & 50 mm dia. G.I. pipe, 3000mm long GI pipe (Class B or better) earth pit as per IS 3043. The earth pit shall be provided with watering pipe (Class B) with wire messed funnel, 25x3 GI strip/ / 2X8SWG G.I. wire up to	Nos.	11.00	16475	1,81,225.00

		chamber (wire or strip size as per fault level), disconnecting links with 600 x 600 mm (clear) RCC chamber & heavy duty 3mm thick CI chequered plate cover with hinge & stainless steel bolts. Bentonite/ Charcol & Salt shall be provided for earth pits. Excavation, back filling, removal of excess soil is included in the scope				
19	R3-ME-2-19-b	Supply and laying of Heavy duty RCC Hume pipe for road crossing, below plinth beam of following size as diameter. Supply and laying Hume pipe - 150mm Dia.	Mtr	235.00	362	85,070.00
20	R3-CS-PS-90-c	Providing and fixing G.I. pipes complete with G.I. fittings including trenching and refilling etc. External work - 25 mm dia nominal bore	Rmt	250.00	325	81,250.00
21	R3-CS-PS-90-a	Providing and fixing G.I. pipes complete with G.I. fittings including trenching and refilling etc. External work - 15 mm dia nominal bore	Rmt	440.00	234	1,02,960.00
22	R3-CS-PS-96-c	Providing and fixing ball valve (brass) of approved quality, High or low pressure, with plastic floats complete :25 mm nominal bore	Each	3.00	550	1,650.00
23	R3-CS-PS-96-a	Providing and fixing ball valve (brass) of approved quality, High or low pressure, with plastic floats complete :15 mm nominal bore	Each	8.00	492	3,936.00
24	R3-CS-PS-93-a	BRASS FITTINGS Providing and fixing brass bib cock of approved quality : 15 mm nominal bore	Each	2.00	358	716.00
Total Estimated Amount (Rs)						10,46,268.00

Note:

- This "Schedule of Quantities and Rates/ Bill of Quantities" is **for information purpose only**.
- **The tenderer shall not fill & upload price bid here otherwise the tender will be out-rightly rejected.**
- The tenderer shall fill the price bid online in BOQ sheet on Mahatender Portal.
- The above rates are excluding GST.

SECTION 9
GENERAL CONDITIONS OF
CONTRACT

General Conditions of Contract

A. General

1. Definitions

1.1 Terms which are defined in the Contract Data are not also defined in the Conditions of Contract but keep their defined meanings. Capital initials are used to identify defined terms.

The “Contract” shall mean the tender and acceptance thereof and the formal agreement if any, executed between the Contractor, Commissioner and the Corporation together with the documents referred to therein including these conditions and appendices and any special conditions, the specifications, designs, drawings, price schedules, bills of quantities and schedule of rates. All these documents taken together shall be deemed to form one Contract and shall be complementary to one another.

The Contract Data defines the documents and other information which comprise the Contract.

The “Contractor” shall mean the individual or firm or company whether incorporated or not, whose tender has been accepted by the employer and the legal successor of the individual or firm or company, but not (except with the consent of the Employer) any assignee of such person.

The Bidder is a person or corporate body who has desired to submit Bid to carry out the Works, including routine maintenance till the tender process is concluded.

The Contractor's Bid is the completed bidding document submitted by the Contractor to the Employer.

The “Contract Sum” means the sum named in the letter of acceptance including Physical contingencies subject to such addition thereto or deduction there-from as may be made under the provisions hereinafter contained.

Note: The contract sum shall include the following –

- In the case of percentage rate contracts the estimated value of works as mentioned in the tender adjusted by the Contractor's percentage.
- In the case of item rate contracts, the cost of the work arrived at after finalization of the quantities shown in schedule of items / quantities by the item rates quoted by the tenderers for various items and summation of the extended cost of each item.
- In case of lump sum contract, the sum for which tender is accepted.
- Special discount / rebate / trade discount offered by the tenderer if any and accepted by the Corporation.
- Additions or deletions that are accepted after opening of the tenders.

The “Contract Cost” means the Contract Sum plus Price Variation. This cost shall be included in the letter of acceptance.

A Defect is any part of the Works not completed in accordance with the Contract.

The Defects Liability Certificate is the certificate issued by the Engineer, after the Defect Liability Period has ended and upon correction of Defects by the Contractor.

Drawings means all the drawings, calculations and technical information of a like nature provided by the Engineer to the Contractor under the Contract and all drawings, calculations, samples, patterns, models, operation & maintenance manual and other technical information of like nature submitted by the Contractor and approved by the Engineer.

The Authority shall mean Brihanmumbai Municipal Corporation (BMC)

The “Employer” shall mean the Municipal Corporation for BRIHANMUMBAI / Municipal Commissioner for BRIHANMUMBAI, for the time being holding the said office and also his successors and shall also include all “Additional Municipal Commissioners, Director (Engineering Services & Projects)” and the Deputy Municipal Commissioner, to whom the powers of Municipal Commissioner, have been deputed under Section 56 and 56B of the Mumbai Municipal Corporation Act.

The Engineer in-charge shall mean the Executive Engineer in executive charge of the works and shall include the superior officers of the Engineering department i.e. Dy.Ch. Eng / Ch.Eng. and shall mean and include all the successors in BMC

The Engineer's Representative shall mean the Assistant Engineer, Sub. Engineer/Jr. Engineer in direct charge of the works and shall include Sub Eng./ Jr. Eng of Civil section/ Mechanical section/ Electrical section appointed by BMC.

The "Engineer" shall mean the City Engineer / the Hydraulic Engineer / the Chief Engineer / the Special Engineer, appointed for the time being or any other officer or officers of the Municipal Corporation who may be authorized by the commissioner to carry out the functions of the City Engineer / the Hydraulic Engineer / the Chief Engineer / the Special Engineer or any other competent person appointed by the employer and notified in writing to the Contractor to act in replacement of the Engineer from time to time.

Contractor's Equipment means all appliances and things of whatsoever nature required for the execution and completions of the Works and the remedying of any defects therein, but does not include plant material or other things intended to form or forming part of the Permanent Works.

The Initial Contract Price is the Contract Price listed in the Employer's Letter of Acceptance.

The Intended Completion Date is the date on which it is intended that the Contractor shall complete the construction works. The Intended Completion Date is specified in the Contract Data. The Intended Completion Date may be revised only by the Engineer by issuing an extension of time.

Materials are all supplies, including consumables, used by the Contractor for incorporation in the Works and works of routine maintenance.

Plant is any integral part of the Works that shall have a mechanical, electrical, electronic, chemical, or biological function.

Routine Maintenance is the maintenance of activities of the completed structure for five years as specified in the Contract Data.

The "Site" shall mean the land and other places including water bodies more specifically mentioned in the special conditions of the tender, on, under in or through which the permanent works or temporary works are to be executed and any other lands and places provided by the Municipal Corporation for working space or any other purpose as may be specifically designated in the contract as forming part of the site.

Site Investigation Reports are those that were included in the bidding documents and are reports about the surface and subsurface conditions at the Site.

"Specification" shall mean the specification referred to in the tender and any modification thereof or addition or deduction thereto as may from time to time be furnished or approved in writing by the Engineer.

The Start Date/Commencement Date is given in the Contract Data. It is the date when the Contractor shall commence execution of the Works. It does not necessarily coincide with any of the Site Possession Dates.

A Nominated Sub-Contractor is a person or corporate body who has a Contract with the Contractor to carry out a part of the construction work and/or routine maintenance in the Contract, which includes work on the Site.

Temporary Works are works designed, constructed, installed, and removed by the Contractor that are needed for construction or installation of the Works.

Variation means a change to the:-

- i) Specification and /or Drawings (if any) which is instructed by the Employer.
- ii) Scope in the Contract which is instructed by the Employer.
- i) Price in the Contract which is instructed by the Employer.

The Works, as defined in the Contract Data, are what the Contract requires the Contractor to construct, install, maintain, and turn over to the Employer. Routine maintenance is defined separately.

Jurisdiction: In case of any claim, dispute or difference arising in respect of a contract, the cause of action thereof shall be deemed to have arisen in Mumbai and all legal proceedings in respect of any claim, dispute or difference shall be instituted in a competent court in the City of Mumbai only.

2. Interpretation

2.1 In interpreting these Conditions of Contract, singular also means plural, male also means female or neuter, and the other way around. Headings have no significance. Words have their normal meaning under the language of the Contract unless specifically defined. The Engineer will provide instructions clarifying queries about these Conditions of Contract.

2.2 If sectional completion is specified in the Contract Data, references in the Conditions of Contract to the Works, the Completion Date, and the Intended Completion Date apply to any Section of the Works (other than references to the Completion Date and Intended Completion Date for the whole of the Works).

2.3 The documents forming the Contract shall be interpreted in the following documents: (1) Agreement, (2) Letter of Acceptance, (3) Notice to Proceed with the Work (4) Contractor's Bid, (5) Contract Data, (6) Special Conditions of Contract Part (7) General Conditions of Contract Part I, (8) Specifications, (9) Drawings, (10) Bill of Quantities, and (11) Any other document listed in the Contract Data.

3. Engineer's Decisions

3.1 Except where otherwise specifically stated, the Engineer will decide contractual matters between the Employer and the Contractor in the role representing the Employer. However, if the Engineer is required under the rules and regulations and orders of the Employer to obtain prior approval of some other authorities for specific actions, he will so obtain the approval, before communicating his decision to the Contractor.

3.2 Except as expressly stated in the Contract, the Engineer shall not have any authority to relieve the Contractor of any of his obligations under the contract.

4. Delegation

4.1 The Engineer, with the approval of the Employer, may delegate any of his duties and responsibilities to other person(s), except to the Adjudicator, after notifying the Contractor, and may cancel any delegation after notifying the Contractor.

5. Communications

All certificates, notices or instructions to be given to the Contractor by Employer/ Engineer shall be sent on the address or contact details given by the Contractor of Bid. The address and contact details for communication with the Employer/ Engineer shall be as per the details given in Contract Data. Communications between parties that are referred to in the conditions shall be in writing. The Notice sent by facsimile (fax) or other electronic means shall be effective on confirmation of the transmission. The Notice sent by Registered post or Speed post shall be effective on delivery or at the expiry of the normal delivery period as undertaken by the postal service.

6. Subcontracting

6.1 Unless specifically mentioned in the contract subletting will not be allowed.

Subletting, where otherwise provided by the contract shall not be more than 25% of the contract price.

6.2 The Contractor shall not be required to obtain any consent from the Employer for:

- a. the sub-contracting of any part of the Works for which the Subcontractor is named in the Contract;
- b. the provision for labour, or labour component.
- c. the purchase of Materials which are in accordance with the standards specified in the Contract.

6.3 Beyond what has been stated in clauses 6.1 and 6.2, if the Contractor proposes sub contracting any part of the work during execution of the Works, because of some unforeseen circumstances to enable him to complete the Works as per terms of the Contract, the Employer will consider the following before according approval:

- a. The Contractor shall not sub-contract the whole of the Works.
- b. The permitted subletting of work by the Contractor shall not establish any contractual relationship between the sub-contractor and the BMC and shall not relieve the Contractor of any responsibility under the Contract.

6.4 The Engineer should satisfy himself before recommending to the Employer whether

- a. the circumstances warrant such sub-contracting; and
- b. the sub-Contractor so proposed for the Work possesses the experience, qualifications and equipment necessary for the job proposed to be entrusted to him.

7. Other Contractors

7.1 The Contractor shall cooperate and share the Site with other Contractors, public authorities, utilities, and the Employer between the dates given in the Schedule of Other Contractors, as referred to in the Contract Data. The Contractor shall also provide facilities and services for them as described in the Schedule. The Employer may modify the Schedule of Other Contractors, and shall notify the Contractor of any such modification.

7.2 The Contractor should take up the works in convenient reaches as decided by the Engineer to ensure there is least hindrance to the smooth flow and safety of traffic including movement of vehicles and equipment of other Contractors till the completion of the Works.

8. Personnel

8.1 The Contractor shall employ for the construction work and routine maintenance the key personnel including technical personnel named in the Contract Data or other personnel approved by the Engineer. The Engineer will approve any proposed replacement of technical personnel only if their relevant qualifications and abilities are substantially equal to those of the personnel stated in the Contract Data.

8.2 The Contractor's personnel shall appropriately be qualified, skilled and experienced in their respective trades or occupations. The Engineer shall have authority to remove, or cause to be removed, any person employed on the site or works, who carries out duties incompetently or negligently and persists in any conduct which is prejudicial to safety, health or the protection of the environment.

8.3 If the Engineer asks the Contractor to remove a person who is a member of the Contractor's staff or work force, stating the reasons, the Contractor shall ensure that the person leaves the Site within seven days and has no further connection with the Works in the Contract.

8.4 The Contractor shall not employ any retired Gazetted officer who has worked in the Engineering Department of the BMC /State Government and has either not completed two years after the date of retirement or has not obtained BMC/State Government's permission to employment with the Contractor.

9. Employer's and Contractor's Risks

9.1 The Employer carries the risks which this Contract states are Employer's risks, and the Contractor carries the risks which this Contract states are Contractor's risks.

10. Employer's Risks

10.1 The Employer is responsible for the excepted risks which are (a) in so far as they directly affect the execution of the Works in the Employer's country, the risks of war, invasion, act of foreign enemies, rebellion, revolution, insurrection or military or usurped power, civil war, riot, commotion or disorder (unless restricted to the Contractor's employees) and contamination from any nuclear fuel or

nuclear waste or radioactive toxic explosive, or (b) a cause due solely to the design of the Works, other than the Contractor's design.

11. Contractor's Risks

11.1 All risks of loss of or damage to physical property and of personal injury and death which arise during and in consequence of the performance of the Contract other than the excepted risks, referred to in clause 11.1, are the responsibility of the Contractor.

12. Insurance

12.1 The Contractor at his cost shall provide, in the joint names of the Employer and the Contractor, insurance cover from the Start Date to the end of Defects Liability Period, in the amounts and deductibles stated in the Contract Data for the following events which are due to the Contractor's risks:

- a) Loss of or damage to the Works, Plant and Materials;
- b) Loss of or damage to Equipment;
- c) Loss of or damage to property (other than the Works, Plant, Materials, and Equipment) in connection with the Contract; and
- d) Personal injury or death.

12.2 Insurance policies and certificates for insurance shall be delivered by the Contractor to the Engineer for the Engineer's approval before the Start Date. All such insurance shall provide for compensation to be payable in the types and proportions of currencies required to rectify the loss or damage incurred.

12.3 Alterations to the terms of insurance shall not be made without the approval of the Engineer.

12.4 Both parties shall comply with any conditions of the insurance policies.

12.5 If the Contractor does not provide any of the policies and certificates required, the Employer may affect the insurance which the Contractor should have provided and recover the premiums the Employer has paid, from payments otherwise due to the Contractor or if no payment is due, the payment of premiums shall be debt due.

13. Site Investigation Reports

13.1 The Contractor, in preparing the Bid, may rely, at his own risk, on any Site Investigation Reports referred to in the Contract Data, supplemented by any other information available to him, before submitting the bid.

14. Queries about the Contract Data

14.1 The Engineer will clarify queries on the Contract Data.

15. Contractor to Construct the Works and Undertake Maintenance (if specified in the tender)

15.1 The Contractor shall construct, and install and maintain the Works in accordance with the Specifications and Drawings and as per instructions of the Engineer.

15.2 The Contractor shall construct the works with intermediate technology, i.e., by manual means with medium input of machinery required to ensure the quality of works as per specifications. The Contractor shall deploy the equipment and machinery as required in the contract.

15.3 The Contractor shall take all reasonable steps to protect the environment on and off the Site and to avoid damage or nuisance to persons or to property of the public or others resulting from pollution, noise or other causes arising as a consequence of his methods of operation. During continuance of the contract, the Contractor and his sub-contractors shall abide at all times by all existing enactments on environmental protection and rules made there under, regulations, notifications and byelaws of the State or Central Government, or local authorities and any other law, bye-law, regulations that may be passed or notification

that may be issued in future by the State or Central Government or the local authority. Salient features of some of the major laws that are applicable are given below:

- The Water (Prevention and Control of Pollution) Act, 1974, this provides for the prevention and control of water pollution and the maintaining and restoring of wholesomeness of water. 'Pollution' means such contamination of water or such alteration of the physical, chemical or biological properties of water or such discharge of any sewage or trade effluent or of any other liquid, gaseous or solid substance into water (whether directly or indirectly) as may, or is likely to, create a nuisance or render such water harmful or injurious to public health or safety, or to domestic, commercial, industrial, agricultural or other legitimate uses, or to the life and health of animals or plants or of aquatic organisms.
- The Air (Prevention and Control of Pollution) Act, 1981, this provides for prevention, control and abatement of air pollution. 'Air Pollution' means the presence in the atmosphere of any 'air pollutant', which means any solid, liquid or gaseous substance (including noise) present in the atmosphere in such concentration as may be or tend to be injurious to human beings or other living creatures or plants or property or environment.
- The Environment (Protection) Act, 1986, this provides for the protection and improvement of environment and for matters connected therewith, and the prevention of hazards to human beings, other living creatures, plants and property. 'Environment' includes water, air and land and the inter-relationship which exists among and between water, air and land, and human beings, other living creatures, plants, micro-organism and property.
- The Public Liability Insurance Act, 1991, This provides for public liability insurance for the purpose of providing immediate relief to the persons affected by accident occurring while handling hazardous substances and for matters connected herewith or incidental thereto. Hazardous substance means any substance or preparation which is defined as hazardous substance under the Environment (Protection) Act 1986, and exceeding such quantity as may be specified by notification by the Central Government.

16. The Works and Routine Maintenance to be completed by the Intended Completion Date

16.1 The Contractor may commence execution of the Works on the Start Date and shall carry out the Works and Routine Maintenance, if specified in the tender, in accordance with the Programme submitted by the Contractor, as updated with the approval of the Engineer, and complete them by the Intended Completion Date.

17. Approval by the Engineer

17.1 The Contractor shall submit Specifications and Drawings showing the proposed Temporary Works to the Engineer, who is to approve them if they comply with the Specifications and Drawings.

17.2 The Contractor shall be responsible for design and safety of Temporary Works.

17.3 The Engineer's approval shall not alter the Contractor's responsibility for design and safety of the Temporary Works.

17.4 The Contractor shall obtain approval of third parties to the design of the Temporary Works, where required.

17.5 All Drawings prepared by the Contractor for the execution of the temporary or permanent Works, are subject to prior approval by the Engineer before their use.

18. Safety

18.1 The Contractor shall be responsible for the safety of all activities on the Site. He shall comply with all applicable safety requirements and take care of safety of all persons entitled to be on the site

and the works. He shall use reasonable efforts to keep the site and the works, both during construction and maintenance, clear of unnecessary obstruction so as to avoid danger to the persons and the users.

- Workers employed on mixing asphaltic materials, cement and lime mortars shall be provided with protective footwear and protective goggles.
- Stone breaker shall be provided with protective goggles and protective clothing and seated at sufficiently safe intervals.
- The area should be barricaded or cordoned off by suitable means to avoid mishaps of any kind. Power warning signs should be displayed for the safety of the public whenever cleaning works are undertaken during night or day.
- The workers engaged for cleaning the manholes/sewers should be properly trained before allowing working in the manhole.

18.2 Safety Programs:-

- I. Have adequate safety supervision in place to ensure that safety programs set up by the firms/agencies are in compliance with prevalent laws and regulations.
- II. Review safety programs developed by each of the trade firms, prepare and submit a comprehensive safety program.
- III. Monitor day to day implementation of safety procedures.

18.3 First Aid Facilities: -

- i. At every work place there shall be provided and maintained, so as to be easily accessible during working hours, first-aid boxes at the rate of not less than one box for 150 contract labour or part thereof ordinarily employed.
- ii. The first-aid box shall be distinctly marked with a red cross on white back ground.
- iii. Adequate arrangements shall be made for immediate recoupment of the equipment when necessary.
- iv. Nothing except the prescribed contents shall be kept in the First-aid box.
- v. The first-aid box shall be kept in charge of a responsible person who shall always be readily available during the working hours of the work place.
- vi. A person in charge of the First-aid box shall be a person trained in First-aid treatment, in the work places where the number of contract labour employed is 150 or more.

19. Discoveries

19.1 Anything of historical or other interest or of significant value unexpectedly discovered on the Site shall be the property of the Employer. The Contractor shall notify the Engineer of such discoveries and carry out the Engineer's instructions for dealing with them.

20. Possession of the Site

20.1 The Employer shall handover complete or part possession of the site to the Contractor 7 days in advance of construction programme. At the start of the work, the Employer shall handover the possession of at-least 75% of the site free of all encumbrances, the remaining 25 % of the possession as per contractor's construction programme.

21. Access to the Site

21.1 The Contractor shall allow access to the Site and to any place where work in connection with the Contract is being carried out, or is intended to be carried out to the Engineer and any

person/persons/agency authorized by: a. The Engineer b. The Employer or authorized by the Employer.

22. Instructions

22.1 The Contractor shall carry out all instructions of the Engineer, which comply with the applicable laws where the Site is located.

22.2 The Contractor shall permit the appointed and/or authorized persons to inspect the Site and/or accounts and records of the Contractor and its subcontractors relating to the performance of the Contract, and to have such accounts and records audited by auditors appointed, if so required. The Contractor's attention is invited to Clause of 'Fraud and Corruption', which provides, inter alia, that acts intended to materially impede the exercise of the inspection and audit rights provided for under the Clause & constitute a obstructive practice subject to contract termination.

22.3 Engineer to have power to issue further drawings or instructions:

The Engineer shall have the power and authority from time to time and at all times to make and issue such further drawings and to give such further instructions and directions as may appear to him necessary or proper for the guidance of the contractor and the good and sufficient execution of the works according to terms of the specifications and Contractor shall receive, execute, obey and be bound by the same, according to the true intent and meaning thereof, as fully and effectually as though the same had accompanied or had been mentioned or referred to in the specification, and the Engineer may also alter or vary the levels or position of nature of works contemplated by the specifications, or may order any of the works contemplated thereby to be omitted, with or without the substitution of any other works in lieu thereof, or may order any work or any portion of work executed or partially executed, to be removed, changed or altered, added if needful, may order that other works shall be substituted instead thereof and difference of expense occasioned by any such diminution or alteration so ordered and directed shall be added to or deducted from the amount of this Contract, as provided under condition no.10(a) hereinafter.

No work which radically changes the original nature of the Contract shall be ordered by the Engineer and in the event of any deviation being ordered which in the opinion of the Contractor changes the original nature of Contract he shall nevertheless carry it out and disagreement as to the nature of the work and the rate to be paid therefore shall be resolved in accordance with condition no.13d.

The time for completion of the Works, shall be in even of any deviations resulting in additional cost over the contract price being ordered, be extended or reduced reasonably by the Engineer. The Engineer's decision in this case shall be final.

B. Time Control

23. Programme

23.1 Within the time stated in the Contract Data, the Contractor shall submit to the Engineer for approval a Programme, including Environment Management Plan showing the general methods, arrangements, order, and timing for all the activities in the Works, along with monthly cash flow forecasts for the construction of works.

After the completion of the construction works, the programme for the Routine Maintenance Work, showing the general methods, arrangements, order and timing for all the activities involved in the Routine Maintenance will also be submitted by the Contractor to the Engineer for approval if specified in the tender. The programme for Routine Maintenance will be submitted in each year for the period of Maintenance.

23.2 The Contractor shall submit the list of equipment and machinery being brought to site, the list of key personnel being deployed, the list of machinery/ equipments being placed in field laboratory and

the location of field laboratory along with the Programme. The Engineer shall cause these details to be verified at each appropriate stage of the programme.

23.3 An update of the Programme shall be a programme showing the actual progress achieved on each activity and the effect of the progress achieved on the timing of the remaining Works, including any changes to the sequence of the activities.

23.4 The Contractor shall submit to the Engineer for approval an updated Programme at intervals no longer than the period stated in the Contract Data. If the Contractor does not submit an updated Programme within this period, the Engineer may withhold the amount stated in the Contract Data from the next payment certificate and continue to withhold this amount until the next payment after the date on which the overdue Programme has been submitted.

23.5 The Engineer's approval of the Programme shall not alter the Contractor's obligations. The Contractor may revise the Programme and submit it to the Engineer again at any time. A revised Programme shall show the effect of Variations and Compensation Events.

24. Extension Of Time In Contracts:

Subject to any requirement in the contract as to completion of any portions or portions of the works before completion of the whole, the contractor shall fully and finally complete the whole of the works comprised in the contract (with such modifications as may be directed under conditions of this contract) by the date entered in the contract or extended date in terms of the following clauses:

a) Extension attributable to BMC

(i) Extension Due To Modification: If any modifications have been ordered which in the opinion of the Engineer have materially increased the magnitude of the work, then such extension of the contracted date of completion may be granted as shall appear to the Engineer to be reasonable in the circumstances, provided moreover that the Contractor shall be responsible for requesting such extension of the date as may be considered necessary as soon as the cause thereof shall arise and in any case **should not be less than 30 days before the expiry of the date fixed for completion of the works.**

(ii) Extension For Delay Due To BMC: In the event of any failure or delay by the BMC to hand over the Contractor possession of the lands necessary for the execution of the works or to give the necessary notice to commence the works or to provide the necessary drawings or instructions or any other delay caused by the BMC due to any other cause whatsoever, then such failure or delay shall in no way affect or vitiate the contract or alter the character thereof or entitle the contractor to damages or compensation therefore, but in any such case, the BMC may grant such extension(s) of the completion date as may be considered reasonable.

Note: For extension of time period as governed in (i) and (ii) above, any modifications in design/drawings, specifications, and quantities shall be needed to be justified with recorded reasons with approval of Ch. Eng. for not anticipating the same while preparing estimates and draft tender.

(b) Extension Of Time For Delay Due To Contractor : The time for the execution of the work or part of the works specified in the contract documents shall be deemed to be the essence of the contract and the works must be completed no later than the date(s) / the programme for completion of work as specified in the contract. If the contractor fails to complete the works within the time as specified in the contract for the reasons other than the reasons specified in above as (a.i) and (a.ii), the BMC may, if satisfied that the works can be completed by the contractor within reasonable short time thereafter, allow the contractor for further extension of time as the Engineer may decide. On

such extension the BMC will be entitled without prejudice to any other right and remedy available on that behalf, to recover the compensation as governed by Clause 8(e) of GCC.

For the purpose of this Clause, the contract value of the works shall be taken as value of work as per contract agreement including any supplementary work order/contract agreement issued.

Further, competent authority while granting extension to the currency of contract under Clause (b) of as above may also consider levy of penalty, as deemed fit based on the merit of the case. Also, the reasons for granting extension shall be properly documented.

25. Delays Ordered by the Engineer

25.1 The Engineer may instruct the Contractor to delay the start or progress of any activity within the Works. Delay/delays totaling more than 30 days will require prior written approval of the DMC/AMC.

26. Management Meetings

26.1 The Engineer may require the Contractor to attend a management meeting. The business of a management meeting shall be to review the plans for progress of the Works.

26.2 The Engineer shall record the business of management meetings and provide copies of the record to those attending the meeting. The responsibility of the parties for actions to be taken shall be decided by the Engineer either at the management meeting or after the management meeting and stated in writing to all those who attended the meeting.

C. Quality Control

27.1. Work to be open to Inspection and Contractor or Responsible agent to be present

All works under or in course of execution or executed in pursuance of the contract shall at all times be open to the inspection and supervision of the Eng-in-charge and his subordinates and the contractor shall at all times during the usual working hours, at all other times, during the usual working hours and at all other times at which reasonable notice of the intention of the Eng-in-charge and his subordinates to visit the works shall have been given to the contractor, either himself be present to receive orders and instruction or have responsible agent duly accredited in writing present for that purpose. Order given to the contractors' duly authorized agent shall be considered to have the same force and effect as if they had been given to the contractor himself.

27.2. **Notice To Be Given Before Work Is Covered Up** The contractor shall give not less than ten days' notice in writing to the Eng-In-Charge or his subordinate incharge of the work before covering up or otherwise placing beyond the reach of measurement any work in order that the same may be measured and correct dimension thereof taken before the same is so covered up or placed beyond the reach of measurements and shall not cover up or place beyond the reach of measurement any work without the consent in writing of the Eng-In-Charge or his subordinate incharge of the work, and if any work shall be covered up or placed beyond the reach of measurement, without such notice having been given or consent obtained the same shall be uncovered at the contractors expenses, and in default thereof no payment or allowance shall be made for such work or for the materials with which the same was executed

27.3 Works to be executed in accordance with specifications / drawings / orders etc. :

The contractor shall execute the whole and every part of the work the most substantial and workman like manner and both has regards material and every other respect in strict accordance with specifications. The contractor shall also confirm exactly, fully and faithfully to the designs, drawings and instructions in writing relating to the work signed by the Engineer In-charge and lodged in his office and to which the contractor shall be entitled to have access for the purpose of inspection at such office, or on the site or work during office hours. The contractor shall be entitled to receive three

sets of contract drawings and working drawings as well as one certified copy of the accepted tender along with the work order free of cost.

27.4 Ready Mix Concrete/ Asphalt Mix

- i) The contractor shall have to arrange Ready Mix concrete (RMC)/Asphalt from RMC/ASPHALT producing plants registered with BMC
- ii) The contractor shall, within a 7days of award of the work, submit a list of at least three RMC/Asphalt producers with details of such plants including details and number of transit, mixers & pumps etc. to be deployed indicating name of owner/company, its location, capacity, and technical establishment.

The Engineer-in-charge will reserve right to inspect at any stage and reject the concrete if he is not satisfied about quality of product at the user's end.

- iii) The Engineer-in-charge reserves the right to exercise control over the: -

- a) Calibration check of the RMC/Asphalt plant.
- b) Weight and quantity check on the ingredients, water and admixtures added for batch mixing for RMC plants
- c) Time of mixing of concrete/grade of asphalt.
- d) Testing of fresh concrete/asphalt mix, recording of results and declaring the mix fit or unfit for use. This will include continuous control on the work ability during production and taking corrective action, if required.
- e) For exercising such control, the Engineer-in-charge shall periodically depute his authorized representative at the RMC/Asphalt plant. It shall be responsibility of the contractor to ensure that all necessary equipment, manpower & facilities are made available to Engineer-in-charge and or his authorized representative at RMC/Asphalt plant.
- f) All required relevant records of RMC/Asphalt mix shall be made available to the Engineer-in-charge or his authorized representative. Engineer-in-charge shall, as required, specify guidelines & additional procedures for quality control & other parameters in respect of material production& transportation of concrete mix which shall be binding on the contractor & the RMC/Asphalt plant. Only concrete as approved in design mix by Engineer-in-charge shall be produced in RMC plant and transported to the site.
- g) The contractor shall have to produce a copy of chalan receipts/SCADA reports/VTS reports as issued by the RMC/Asphalt plant as a documentary proof in lieu of supply of RMC/Asphalt mix before releasing payment.

28. Identifying Defects

28.1 The Engineer shall check the Contractor's work and notify the Contractor of any Defects that are found. Such checking shall not affect the Contractor's responsibilities. The Engineer may instruct the Contractor to search for a Defect and to uncover and test any work that the Engineer considers may have a Defect.

28.2 The Contractor shall permit the Employer's technical person(s) to check the Contractor's work and notify the Engineer and Contractor if any defects that are found.

29. Tests (NA)

29.1 For carrying out mandatory tests as prescribed in the specifications, the Contractor shall establish field laboratory at the location decided by Engineer. The field laboratory will have minimum of equipments as specified in the Contract Data. The contractor shall be solely responsible for:

- a. Carrying out the mandatory tests prescribed in the Specifications, and

b. For the correctness of the test results, whether preformed in his laboratory or elsewhere.

29.2 If the Engineer instructs the Contractor to carry out a test not specified in the Specification/ Quality Assurance Handbook to check whether any work has a Defect and the test shows that it does, the Contractor shall pay for the test and any samples. If there is no defect, the test shall be a compensation event.

When required by the Engineer-in-charge the contractor(s) shall supply for the purpose of testing samples of all materials proposed to be used in the works. Samples submitted either to govern bulk supplies or required for testing before use shall be in suitable packages to contain them and shall be provided free of charge by the contractor. The cost of testing shall be borne by the contractor even if the result of the sample confirm or do not confirm to the relevant BIS code specifications.

i. All expenditure required to be incurred for taking the samples conveyance, packing shall be borne by the contractor himself.

ii. The failed material shall be removed from the site by the contractor at his own cost within a week time of written order of the Engineer-in-charge.

29.3 Setting of Site Laboratories: (NA)

Contractors shall set up a laboratory at site before commencement of work at their cost for performing various tests and at least the following machines and equipments shall be provided therein –

1. Set of Sieves as per I.R.C. /I.S.
2. Compressive Testing Machine (For new works)
3. Oven, Electrically Operated
4. Weighing Balance (20 kg capacity)
5. 3 m straight edge
6. Sieve shaker
7. First Aid Box
8. Measuring Jar (for silt content)
9. Other Machines/apparatus as may be directed by the Engineer
10. Vernier Caliber
11. Level / Theodolite

All the test records shall be maintained in the site office and made available as and when required. The laboratory must be established within 15 days from the date of receipt of the orders from Engineer In charge. On failure to do so, a penalty of Rs 1000/- per day shall be imposed.

The contractor shall install testing equipment at site. The contractor shall ensure and certify the calibration of the equipment so installed and shall maintain the same in working order throughout the period of construction. The contractor shall also provide necessary technically qualified experienced trained staff for carrying out such tests for using such equipment. The tests shall be carried out under the supervision of the Engineer-in-charge. The calibration shall be checked every twelve months as directed by Engineer-in-charge.

30. Correction of Defects noticed during the Defects Liability Period.

30.1 (a) The Engineer shall give notice to the Contractor of any Defects before the end of the Defects Liability Period, which begins at Completion and ends after five years. The Defects Liability Period shall be extended for as long as Defects remain to be corrected.

(b) Every time notice of Defect/Defects is given, the Contractor shall correct the notified Defect/Defects within the duration of time specified by the Engineer's notice.

(c) The Engineer may issue notice to the Contractor to carry out removal of defects or deficiencies, if any, noticed in his inspection, or brought to his notice. The Contractor shall remove the defects and deficiencies within the period specified in the notice and submit to the Engineer a compliance report.

31. Uncorrected Defects and Deficiencies

31.1 If the Contractor has not corrected a Defect pertaining to the Defect Liability Period under clause and deficiencies in maintenance, to the satisfaction of the Engineer, within the time specified in the Engineer's notice, the Engineer will assess the cost of having the Defect or deficiency corrected, and the Contractor shall pay this amount, on correction of the Defect or deficiency by another agency.

D. Cost Control

32. Variations

The Engineer shall, having regard to the scope of the Works and the sanctioned estimated cost, have power to order, in writing, Variations within the scope of the Works he considers necessary or advisable during the progress of the Works. Such Variations shall form part of the Contract and the Contractor shall carry them out and include them in updated Programmes produced by the Contractor. Oral orders of the Engineer for Variations, unless followed by written confirmation, shall not be taken into account.

33. Payments for Variations

33.1 If rates for Variation items are specified in the Bill of Quantities, the Contractor shall carry out such work at the same rate.

33.2 The rate for Extra/Excess shall be governed by clause 10.A of Standard General Condition of Contract

34. Cash Flow Forecasts

When the Programme is updated, the Contractor shall provide the Engineer with an updated cash flow forecast.

35. Payment Certificates

The payment to the Contractor will be as follows for construction work:

(a) A bill shall be submitted by the Contractor monthly or before the date fixed by the Engineer In-charge for all works executed in the previous month, and the Engineer In-charge shall take or cause to be taken requisite 27 for the purpose of having the same verified and the claim, so far as it is admissible, shall be adjusted, if possible, within 10 days from the presentation of the bill. If the contractor does not submit the bill within the time fixed as aforesaid, the Engineer In-charge may depute a subordinate to measure up the said work in the presence of the contractor or his duly authorized agent whose counter signature to the measurement list shall be sufficient warrant, and Engineer In-Charge may prepare a bill from such list which shall be binding on the contractor in all respects.

(b) The Engineer shall check the Contractor's fortnightly/monthly statement within 14 days and certify the amount to be paid to the Contractor.

(c) The value of work executed shall be determined, based on measurements by the Engineer.

(d) The value of work executed shall comprise the value of the quantities of the items in the Bill of Quantities completed.

(e) The value of work executed shall also include the valuation of Variations and Compensation Events.

(f) The Engineer may exclude any item certified in a previous certificate or reduce the proportion of any item previously certified in any certificate in the light of later information.

(g) The contractor shall submit all bills on the printed forms at the office of Engineer In-charge. The charges to be made in the bills shall always be entered at the rates specified in tender.

36. Payments

36.1 Payments shall be adjusted for deductions for advance payments, retention, security deposit, other recoveries in terms of the Contract and taxes at source, as applicable under the law. The Employer shall pay the Contractor the amounts certified by the Engineer within 15 days of the date of each certificate.

36.2 All sums payable by a contractor by way of compensation under any of these conditions, shall be considered as a reasonable compensation to be applied to the use of BMC without reference to the actual loss or damage sustained and whether any damage has or has not been sustained.

36.3 No payment shall be made for any work estimated to cost less than Rupees One Thousand till after the whole of work shall have been completed and the certificate of completion given. But in the case of works estimated to cost more than Rs. One Thousand, the contractor shall on submitting a monthly bill therefore be entitled to receive payment proportionate to the part of the work than approved and passed by the Engineer In-charge, whose certificate of such approval and passing of the sum so payable shall be final and conclusive against the contractor. All such intermediate payments shall be regarded as payments by way of advance against the final payments only and not as payments for work actual done and completed and shall not preclude the Engineer In-charge from requiring any bad, unsound, imperfect or unskillful work to be removed or taken away and reconstructed or re-erected nor shall any such payment be considered as an admission of the due performance of the contract or any part thereof in any respect or the offering of any claim not shall it conclude, determine or effect in any other way, the powers of the Engineer In-charge as to the final settlement and adjustment of the accounts or otherwise, or in any other way vary or effect the contract. The final bill shall be submitted by the Contractor within one month of the date fixed for the completion of the work otherwise the Engineer In-charge's certificate of the measurements and of the total amount payable for the work shall be final and binding on all parties.

37. The Contractor shall not be entitled to compensation to the extent that the Employer's interests are adversely affected by the Contractor for not having given early warning or not having cooperated with the Engineer.

38. Tax

The tenderer shall quote inclusive of all taxes other than GST (Excluding GST), Levies, Duties, Cess etc as applicable at the time of bid submission. GST as applicable shall be paid separately on submission of bills/invoice.

Input Tax Credit of GST as available with the bidder will not be claim separately by BMC. However, while quoting the rates benefit of Input Tax Credit or Exemption shall be passed on to the BMC by way of equivalent reduction in quoted price.

"As per CA/Finance/Project/City/17 dtd06.09.2017 "Chapter XXI-Miscellaneous section 171(1) of GST Act, 2017 governs the 'Anti Profiting Measure' (AMP). As per the provision of this section, 'Any reduction in rate of tax on any supply of goods or services or the benefit of input tax credit shall be passed on to the recipient by way of commensurate reduction in process.'

Accordingly, the contractor should pass on the complete benefit accruing to him on account of reduced tax rate or additional input tax credit, to BMC.

Further, all the provisions of GST Act will be applicable to the Tender"

Note:- If contract cost exceeds 2,50,000.00 (Excluding GST), 2% GST TDS (1% CGST + 1% SGST or 2% IGST) will be deducted at source as per circular CA (Treasury) /Cash / City/ 20 dtd. 05.10.2018

39. Currencies: All payments will be made in Indian Rupees.

40. Liquidated Damages

Both, the Contractor and the Employer have agreed that it is not feasible to precisely estimate the amount of losses due to delay in completion of works and the losses to the public and the economy, therefore, both the parties have agreed that the Contractor shall pay liquidated damages to the Employer and not by way of penalty, at the rate per week or part thereof stated in the Contract Data for the period that the Completion Date is later than the Intended Completion Date. Liquidated damages at the same

rates shall be withheld if the Contractor fails to achieve the milestones prescribed in the Contract Data. However, in case the Contractor achieves the next milestone, the amount of the liquidated damages already withheld shall be restored to the Contractor by adjustment in the next payment certificate. The Employer and the contractor have agreed that this is a reasonable agreed amount of liquidated damage. The Employer may deduct liquidated damages from payments due to the Contractor. Payment of liquidated damages shall not affect the Contractor's other liabilities.

41. Cost of Repairs

Loss or damage to the Works or Materials to be incorporated in the Works between the Start Date and the end of the Defects Correction periods shall be remedied by the Contractor at his cost if the loss or damage arises from the Contractor's acts or omissions.

E. Finishing the Contract

42. Completion of Construction and Maintenance

42.1 The Contractor shall request the Engineer to issue a certificate of completion of the construction of the works, and the Engineer will do so upon deciding that the works is completed. This shall be governed as per clause no.8(g) of Standard General Conditions of Contract.

43. Taking Over

43.1 The Employer shall take over the works within seven days of the Engineer issuing a certificate of completion of works. The Contractor shall continue to remain responsible for its routine maintenance during the maintenance period if specified in the contract.

44. Final Account

Final joint measurement along with the representatives of the contractor should be taken recorded and signed by the Contractors. Contractors should submit the final bill within 1 month of physical completion of the work. If the contractor fails to submit the final bill within 1 month, the BMC staff will prepare the final bill based on the joint measurement within next 3 months. Engineer's decision shall be final in respect of claims for defect and pending claims against contractors.

No further claims should be made by the Contractor after submission of the final bill and these shall be deemed to have been waived and extinguished. Payment of those items of the bills in respect of which there is no dispute and of items in dispute, for quantities and rates as approved by the Commissioner shall be made within a reasonable period as may be necessary for the purpose of verification etc.

After payment of the final bill as aforesaid has been made, the contractor may, if he so desires, reconsider his position in respect of a disputed portion of the final bills and if he fails to do so within 84 days, his disputed claim shall be dealt with as provided in the contract. A percentage of the retention money, over and above the actual retention money as indicated below shall be held back from payments till the finalization of final bill to be submitted as per above and will be paid within 30 days of acceptance of the final bill.

Sr. no.	Amount of Contract Cost	Minimum Payable Amount in final bill
1	Upto Rs.5 Crs.	Rs.10 Lacs or final bill whichever is more
2	Upto Rs.25 Crs.	Rs.1 Crore or final bill amount whichever is more
3	Upto Rs. 50 Crs.	Rs.2 Crores or final bill amount whichever is more

The contractors have to submit the bill for the work carried out within 15 days from the date of completion of the work to the respective executing department. If the contractor fails to submit their bills to concerned executing department, penalty or action as shown below will be taken for each delayed bill:-

After 15 days from the date of completion/running bill upto certain date, upto next 15 days i.e. upto 30 days	Equal to 5% of bill amount
Next 15 days upto 45 days from the date of completion/running bill upto specified date	Equal to 10% of bill amount
If not submitted within 45 days from the date of completion/ R.A. bill	Bill will not be admitted for payment.

45. Operating and Maintenance Manuals

45.1 If "as built" Drawings and/or operating and maintenance manuals are required, the Contractor shall supply them by the dates stated in the Contract Data.

45.2 If the Contractor does not supply the Drawings and/or manuals by the dates stated in the Contract Data, or they do not receive the Engineer's approval, the Engineer shall withhold the amount stated in the Contract Data from payments due to the Contractor.

46. Termination

46.1 The Employer or the Contractor may terminate the Contract if the other party causes a fundamental breach of the Contract.

46.2 Fundamental breaches of Contract shall include, but shall not be limited to, the following:

- a) the Contractor stops work for 30 days when no stoppage of work is shown on the current Programme and the stoppage has not been authorized by the Engineer;
- b) the Contractor is declared as bankrupt or goes into liquidation other than for approved reconstruction or amalgamation;
- c) the Engineer gives Notice that failure to correct a particular Defect is a fundamental breach of Contract and the Contractor fails to correct it within a reasonable period of time determined by the Engineer;
- d) the Contractor does not maintain a Security, which is required;
- e) the Contractor has delayed the completion of the Works by the number of days for which the maximum amount of liquidated damages can be paid, as defined in relevant clause.
- f) the Contractor fails to provide insurance cover as required under relevant clause .
- g) if the Contractor, in the judgment of the Employer, has engaged in the corrupt or fraudulent practices as defined in GCC in competing for or in executing the Contract.
- h) if the Contractor fails to set up a field laboratory with the prescribed equipment, within the period specified in the Contract Data; and
- i) any other fundamental breaches as specified in the Contract Data.
- j) if the Contractor fails to deploy machinery and equipment or personnel as specified in the Contract Data at the appropriate time.

46.3 When either party to the contract gives notice of a breach of contract to the Engineer for a cause other than those listed above, the Engineer shall decide whether the breach is fundamental or not.

.4 Notwithstanding the above, the Employer may terminate the Contract for convenience.

46.5 If the Contract is terminated, the Contractor shall stop work immediately, make the Site safe and secure, and leave the Site as soon as reasonably possible.

47. Payment upon Termination

47.1 If the Contract is terminated because of a fundamental breach of Contract by the Contractor, the Engineer shall issue a certificate for value of the work done and materials ordered less liquidated damages, if any, less advance payments received up to the date of the issue of the certificate and less the

percentage to apply to the value of the work not completed, as indicated in the Contract Data. If the total amount due to the Employer exceeds any payment due to the Contractor, the difference shall be recovered from the security deposit, and performance security. If any amount is still left un-recovered it will be a debt due from the Contractor to the Employer

47.2 If the Contract is terminated at the Employer's convenience, the Engineer shall issue a certificate for the value of the work done, the reasonable cost of removal of Equipment, repatriation of the Contractor's personnel employed solely on the Works, and the Contractor's costs of protecting and securing the Works and less advance payments received up to the date of the certificate, less other recoveries due in terms of the Contract, and less taxes due to be deducted at source as per applicable law.

48. Property

48.1 All Materials on the Site, Plant, Equipment, Temporary Works, and Works shall be deemed to be the property of the Employer for use for completing balance construction work if the Contract is terminated because of the Contractor's default, till the Works is completed after which it will be transferred to the Contractor and credit, if any, given for its use.

49. Release from Performance

If the Contract is frustrated by the outbreak of war or by any other event entirely outside the control of the Employer or the Contractor, the Engineer shall certify that the Contract has been frustrated. The Contractor shall make the Site safe and stop work as quickly as possible after receiving this certificate and shall be paid for all work carried out before receiving it and for any work carried out afterwards to which a commitment was made.

A) Other conditions of Contract

50. Labour

50.1 The Contractor shall, unless otherwise provided in the Contract, make his own arrangements for the engagement of all staff and labour, local or other, and for their payment, housing, feeding and transport.

50.2 The Contractor shall, if required by the Engineer, deliver to the Engineer a return in detail, in such form and at such intervals as the Engineer may prescribe, showing the staff and the number of the several classes of labour from time to time employed by the Contractor on the Site and such other information as the Engineer may require.

51. Compliance with Labour Regulations

(a) During continuance of the Contract, the Contractor and his sub-Contractors shall abide at all times by all existing labour enactments and rules made there under, regulations, notifications and bye laws of the State or Central Government or local authority and any other labour law (including rules), regulations, bye laws that may be passed or notification that may be issued under any labour law in future either by the State or the Central Government or the local authority.

(b) Furthermore, the Contractor shall keep the Employer indemnified in case any action is taken against the Employer by the competent authority on account of contravention of any of the provisions of any Act or rules made there under, regulations or notifications including amendments. If the Employer is caused to pay or reimburse, such amounts as may be necessary to cause or observe, or for non-observance of the provisions stipulated in the notifications/bye laws/Acts/Rules/regulations including amendments, if any, on the part of the Contractor, the Engineer/Employer shall have the right to deduct any money due to the Contractor including his amount of performance guarantee. The Employer/Engineer shall also have right to recover from the Contractor any sum required or estimated to be required for making good the loss or damage suffered by the Employer.

(c) The Contractor shall require his employees to obey all applicable laws, including those concerning safety at work.

(d) The employees of the Contractor and the Sub-Contractor in no case shall be treated as the employees of the Employer at any point of time.

52. Drawings and Photographs of the Works

52.1 The Contractor shall do photography/video photography of the site firstly before the start of the work, secondly mid-way in the execution of different stages of work as required by Engineer In-charge and lastly after the completion of the work. No separate payment will be made to the Contractor for this.

52.2 The Contractor shall not disclose details of Drawings furnished to him and works on which he is engaged without the prior approval of the Engineer in writing. No photograph of the works or any part thereof or plant employed thereon, except those permitted under above clause, shall be taken or permitted by the Contractor to be taken by any of his employees or any employees of his sub-Contractors without the prior approval of the Engineer in writing. No photographs/ Video photography shall be published or otherwise circulated without the approval of the Engineer in writing.

53. The Apprentices Act, 1961

The Contractor shall duly comply with the provisions of the Apprentices Act 1961 (III of 1961), the rules made there under and the orders that may be issued from time to time under the said Act and the said Rules and on his failure or neglect to do so, he shall be subject to all liabilities and penalties provided by the said Act and said Rules.

54 Contract Document

The documents forming the contract are to be taken as mutually explanatory of one another. Unless otherwise provided in the contract, the priority of the documents forming the contract shall be, as follows:

- 1) Contract Agreement (if completed)
- 2) The letter of Acceptance
- 3) The Bid:
- 4) Addendum to Bid; if any
- 5) Tender Document
- 6) The Bill of Quantities:
- 7) The Specification:
- 8) Detailed Engineering Drawings
- 9) Standard General Conditions of Contracts (GCC)
- 10) All correspondence documents between bidder/contractor and BMC.

55 Conflict of Interest

The Applicant shall not have a conflict of interest (the "Conflict of Interest") that affects the Bidding Process. Any Applicant found to have a Conflict of Interest shall be disqualified. An Applicant shall be deemed to have a Conflict of Interest affecting the Bidding Process, if

1. A constituent of such Applicant is also a constituent of another Applicant; or
2. Such Applicant has the same legal representative for purposes of this Application as any other Applicant; or
3. Such Applicant, or any Associate thereof has a relationship with another Applicant, or any Associate thereof, directly or through common third party/ parties, that puts either or both of them in a position to have access to each other's information about, or to influence the Application of either or each other; or
4. The Applicant shall be liable for disqualification if any legal, financial or technical adviser of the Authority in relation to the Project is engaged by the Applicant, its Member or any Associate thereof, as the

case may be, in any manner for matters related to or incidental to the Project. For the avoidance of doubt, this disqualification shall not apply where such adviser was engaged by the Applicant, its Member or Associate in the past but its assignment expired or was terminated 6 (six) months prior to the date of issue of this TENDER. Nor will this disqualification apply where such adviser is engaged after a period of 3(three) years from the date of commercial operation of the Project.

56. Applications and costs thereof

No Applicant shall submit more than one Application for the Project. An applicant applying individually shall not be entitled to submit another application either individually. The Applicant shall be responsible for all of the costs associated with the preparation of their Applications and their participation in the Bid Process. The Authority will not be responsible or in any way liable for such costs, regardless of the conduct or outcome of the Bidding Process.

57. Acknowledgment by Applicant

It shall be deemed that by submitting the Application, the Applicant has:

- a. made a complete and careful examination of the tender;
- b. received all relevant information requested from the Authority;
- c. accepted the risk of inadequacy, error or mistake in the information provided in the tender or furnished by or on behalf of the Authority relating to any of the matters referred; and
- d. Agreed to be bound by the undertakings provided by it under and in terms hereof.

“The Authority” shall not be liable for any omission, mistake or error in respect of any of the above or on account of any matter or thing arising out of or concerning or relating to the TENDER or the Bidding Process, including any error or mistake therein or in any information or data given by the Authority.

58. Right to accept or reject any or all Applications/ Bids

Notwithstanding anything contained in this TENDER, “The Authority” reserves the right to accept or reject any Application and to annul the Bidding Process and reject all Applications/ Bids, at any time without any liability or any obligation for such acceptance, rejection or annulment, and without assigning any reasons therefore. In the event that the Authority rejects or annuls all the Bids, it may, in its discretion, invite all eligible Bidders to submit fresh Bids hereunder.

“The Authority” reserves the right to reject any Application and/ or Bid if:

- (a) at any time, a material misrepresentation is made or uncovered, or
- (b) the Applicant does not provide, within the time specified by the Authority, the supplemental information sought by the Authority for evaluation of the Application.

In case it is found during the evaluation or at any time before signing of the Agreement or after its execution and during the period of subsistence thereof including the concession thereby granted by “The Authority”, that one or more of the pre-qualification conditions have not been met by the Applicant, or the Applicant has made material misrepresentation or has given any materially incorrect or false information, the Applicant shall be disqualified forthwith if not yet appointed as the Successful Bidder either by issue of the LOA (Letter of Approval) or entering into of the Agreement, and if the Applicant has already been issued the LOA or has entered into the Concession Agreement, as the case may be, the same shall, notwithstanding anything to the contrary contained therein or in this TENDER, be liable to be terminated, by a communication in writing by “The Authority” to the Applicant, without the Authority being liable in any manner whatsoever to the Applicant and without prejudice to any other right or remedy which the Authority may have under this TENDER, the Bidding Documents, the Concession Agreement or under applicable law.

“The Authority” reserves the right to verify all statements, information and documents submitted by the Applicant in response to the TENDER. Any such verification or lack of such verification by the Authority shall not relieve the Applicant of its obligations or liabilities hereunder nor will it affect any rights of the Authority there under.

59 The bid shall be rejected if the bidder-

- a. Stipulates the validity period less than 180 days.
- b. Stipulates own condition/conditions.
- c. Does not fill and (digital) sign undertaking forms, which are incorporated, in the document.

60 Clarifications

Applicants requiring any clarification on the tender may notify “the Authority” in writing or by fax or e-mail. They should send in their queries before the date specified in the header data. “The Authority” shall Endeavor to respond to the queries within the period specified therein. The responses will be sent by fax and/or e-mail. The Authority will forward all the queries and its responses thereto, to all purchasers of the TENDER without identifying the source of queries.

“The Authority” shall Endeavor to respond to the questions raised or clarifications sought by the Applicants. However, the Authority reserves the right not to respond to any question or provide any clarification, in its sole discretion, and nothing in this Clause shall be taken or read as compelling or requiring the Authority to respond to any question or to provide any clarification, but not later than the date provided in header data.

“The Authority” may also on its own motion, if deemed necessary, issue interpretations and clarifications to all Applicants. All clarifications and interpretations issued by the Authority shall be deemed to be part of the tender. Verbal clarifications and information given by Authority or its employees or representatives shall not in any way or manner be binding on the Authority.

61. Amendment of tender

At any time prior to the deadline for submission of Application, the Authority may, for any reason, whether at its own initiative or in response to clarifications requested by an Applicant, modify the tender by the issuance of Addendum. Any Addendum thus issued will be sent in writing/ Fax/ Email to all those who have purchased the tender.

In order to afford the Applicants a reasonable time for taking an Addendum into account, or for any other reason, the Authority may, in its sole discretion, extend the Application Due Date.

Preparation and Submission of Application

62. Language

The Application and all related correspondence and documents in relation to the Bidding Process shall be in English language. Supporting documents and printed literature furnished by the Applicant with the Application may be in any other language provided that they are accompanied by translations of all the pertinent passages in the English language, duly authenticated and certified by the Applicant. Supporting materials, which are not translated into English, may not be considered. For the purpose of interpretation and evaluation of the Application, the English language translation shall prevail.

63. Format and signing of Application

The Applicant shall provide all the information sought under this TENDER. The Authority will evaluate only those Applications that are received in the required formats and complete in all respects. Incomplete and /or conditional Applications shall be liable to rejection.

The Applicant will upload bid in One Folder in electronic form which shall contain the scanned certified copies of the documents given below and the documents uploaded has to be digitally signed by the bidder. These copies shall be certified by Practicing Notary approved by the Govt. of Maharashtra or Govt. of India with his stamp, clearly stating his name & registration number, except where original documents are demanded

64. Marking of Applications

The Applicant shall submit the Application in the format specified at Appendix-I, together with the documents, upload in folder as "VENDOR" together with their respective enclosures

Applications submitted by fax, telex, telegram shall not be entertained and shall be rejected outright.

65. Late Applications

Applications received by the Authority after the specified time on the Application Due Date shall not be eligible for consideration and shall be summarily rejected.

66. Confidentiality

Information relating to the examination, clarification, evaluation, and recommendation for the short-listed qualified Applicants shall not be disclosed to any person who is not officially concerned with the process or is not a retained professional advisor advising the Authority in relation to or matters arising out of, or concerning the Bidding Process. The Authority will treat all information, submitted as part of Application, in confidence and will require all those who have access to such material to treat the same in confidence. The Authority may not divulge any such information unless it is directed to do so by any statutory entity that has the power under law to require its disclosure or is to enforce or assert any right or privilege of the statutory entity and/ or the Authority or as may be required by law or in connection with any legal process.

67. Clarification of Financial Bids

To assist in the examination, evaluation and comparison of Bids, the Engineer may, at his discretion, ask any bidder for clarification of his Bid, including breakdown of unit rates. The request for clarification and the response shall be in writing or by post/facsimile/e-mail. No Bidder shall contact the Engineer on any matter relating to his bid from the time of the bid opening to the time the contract is awarded. Any effort by the Bidder to influence the Engineer in the Engineer's bid evaluation, bid comparison or contract award decisions may result in the rejection of the Bidder's bid.

68. Inspection of site and sufficiency of tender:

1. The Contractor shall inspect and examine the site and its surrounding and shall satisfy himself before submitting his tender as to the nature of the ground and subsoil (so far as is practicable), the form and nature of the site, the quantities and nature of the work and materials necessary for the completion of the works and means of access to the site, the accommodation he may require and in general shall himself obtain all necessary information as to risk, contingencies and other circumstances which may influence or affect his tender. He shall also take into consideration the hydrological and climatic conditions.

2. The Employer may make available to the Contractor data on hydrological and sub-surface conditions as obtained by or on his behalf from investigations relevant to the works but the Contractor shall be responsible for his own interpretation thereof. The contractor shall engage his investigating agency with prior approval of the Engineer from the approved list of such agencies by BMC or Govt. at his cost initially before commencing actual work and which shall be reimbursed immediately subject to satisfaction of the

Engineer for faithful compliance and submission of required data regarding such investigation within specified time.

3. The Contractor shall be deemed to have satisfied himself before tendering as to the correctness and sufficiency of his tender for the works and of the rates and prices quoted in the schedule of works / items / quantities, or in Bill of Quantities, which rates and prices shall, except as otherwise provided cover all his obligations under the Contract and all matters and things necessary for proper completion and maintenance of the works. No extra charges consequent on any misunderstanding.

4. **Not Foreseeable Physical Obstructions or Conditions:** If, however, during the execution of the Works the Contractor encounters physical obstructions or physical conditions, other than climatic conditions on the Site, which obstructions or conditions were, in his opinion, not foreseeable by an experienced contractor, the Contractor shall forthwith give notice thereof to the Engineer. On receipt of such notice, the Engineer shall, if in his opinion such obstructions or conditions could not have been reasonably foreseen by an experienced contractor, after due consultation with the Contractor, determine:

- any extension of time to which the Contractor is entitled and
- The amount of any costs which may have been incurred by the Contractor by reason of such obstructions or conditions having been encountered, which shall be added to the Contract Price.

and shall notify the Contractor accordingly. Such determination shall take account of any instruction which the Engineer may issue to the Contractor in connection therewith, and any proper and reasonable measures acceptable to the Engineer which the Contractor may take in the absence of specific instructions from the Engineer. However, such costings shall be got approved by the competent authority as governed vide rules prevailing with authority.

5. **Office for the Engineer (Works costing upto Rs.50 Lakhs) (Not applicable)**

The Contractor shall at his own cost and to satisfaction of the Engineer provide a small temporary office, at the work-site which will include tables, chairs and lockers for keeping the records. He shall also make necessary arrangements for drinking water. These offices are not to be allowed on public roads without the written instruction of the Engineer. These offices should be preferably located within 50 to 500 m of the worksite. In case the office is more than 500m away from the worksite, the contractor is to provide conveyance for Municipal Staff.

6.1 **Office for the Engineer (Works costing above Rs.50 lakhs) (Not applicable)**

The Contractor shall at his own cost and to satisfaction of the Engineer provide a temporary office at the work-site which will include tables, chairs and lockers for keeping the records. He shall also make necessary arrangements for drinking water, latrines, with doors, windows, locks, bolts and fastenings sufficient for security for the Engineer, and his subordinates, as close to the works from time to time in progress as can be conveniently arranged, and shall at his own cost furnish the office with such chairs, tables, lockers, locks and fastenings as may be required by the Engineer, and no expense of any kind in connection with the erection or upkeep of the offices or fittings shall be borne by the Corporation, but all such work shall be carried out by the Contractor and the expenses thereof defrayed by him. The Contractor shall also make water connections and fit up stand pipe with a bib tap at office. The latrines and the water connections shall be subject to all the conditions herein elsewhere laid down for temporary water connection and latrines generally with all requisite equipments for e-governance and electronic and digital communication. These offices are not to be allowed on public roads without the written instruction of the Engineer.

7. **Permission for provision and removal of office on completion of work:** The tenderer shall obtain permission for provision of site office, store, etc. on payment of necessary cost implication. The

watchman cabins shall be provided as directed and shall be removed by the Tenderers on completion of the work at their cost. It is binding on the Tenderer to fulfill requirements of Environmental Authorities. The location of such office shall be finalized and got approved from the Engineer before erection/commencement work.

8. **Contractor's office near works:** The Contractor shall have an office near the works at which notice from the Commissioner or the Engineer may be served and shall, between the hours of sunrise and sunset on all working days, have a clerk or some other authorized person always present at such office upon whom such notices may be served and service of any notices left with such clerk or other authorized person or at such office shall be deemed good service upon the Contractor and such offices shall have pre-requisite facilities for e-governance.

69 Official Secrecy:

The Contractor shall of all the persons employed in any works in connection with the contract that the India Official Secrets Act 1923 (XIX of 1923) applies to them and will continue to apply even after execution of the said works and they will not disclose any information regarding this contract to any third party. The contractor shall also bring into notice that, any information found to be leaked out or disclosed the concern person as well as the Contractor will be liable for penal action; further the Corporation will be at liberty to terminate the contract without notice.

70. Subsequent Legislation:

If on the day of submission of bids for the contract, there occur changes to any National or State stature, Ordinance, decree or other law or any regulation or By-laws or any local or other duly constituted authority or the introduction of any such National or State Statute, Ordinance, decree or by which causes additional or reduced cost to the Contractor, such additional or reduced cost shall, after due consultation with the Contractor, be determined by the concerned Engineering Department of BMC and shall be added to or deducted from the Contract Price with prior approval of competent authority and the concerned Engineering Department shall notify the Contractor accordingly with a copy to the Employer. BMC reserve the right to take decision in respect of addition/reduction of cost in contract.

71. Patent, Right and Royalties:

The contractor shall save harmless and indemnify the Corporation from and against all claims and proceedings for or on account of infringement of any Patent rights, design trademark or name of other protected rights in respect of any constructional plant, machine work, or material used for or in connection with the Works or any of them and from and against all claims, proceedings, damages, costs, charges and expenses whatsoever in respect thereof or in relation thereto. Except where otherwise specified, the contractor shall pay all tonnage and other royalties, rent and other payments or compensation, if any, for getting stone, sand, gravel, clay or other materials required for the works or any of them.

72 Payments, Tax and Claims:

· **The limit for unforeseen claims** Under no circumstances whatever the contractor shall be entitled to any compensation from BMC on any account unless the contractor shall have submitted a claim in writing to the Eng-in-change within 1 month of the case of such claim occurring.

· **No interest for delayed payments due to disputes, etc:**

It is agreed that the Brihanmumbai Municipal Corporation or its Engineer or Officer shall not be liable to pay any interest or damage with respect of any moneys or balance which may be in its or its Engineer's or officer's hands owing to any dispute or difference or claim or misunderstanding between the Brihanmumbai Municipal Corporation or its Engineer or Officer on the one hand and the contractor on the other, or with

respect to any delay on the part of the Brihanmumbai Municipal Corporation or its Engineer or Officers in making periodical or final payments or in any other respect whatever.

73 Settlement of Disputes:

Termination of contract for death

If the Contractor is an individual or a proprietary concern and the individual or the proprietor dies and if the Contractor is a partnership concern and one of the legal representative of the individual Contractor or the proprietor of the proprietary concern and in case of partnership, the surviving partners, are capable of carrying out and completing the contract, the Commissioner shall be entitled to cancel the contract as to its uncompleted part without the Corporation being in any way liable to payment of any compensation to the estate of the deceased Contractor and or to the surviving partners of the Contractor's firm on account of the cancellation of the contract. The decision of the Commissioner that the legal representative of the deceased Contractor or surviving partners of the Contractor's firm cannot carry out and complete the contract shall be final and binding on the parties. In the event of such cancellation the Commissioner shall not hold estate of the deceased Contractor and or surviving partners of the Contractor's firm liable in damages for not completing the contract.

Settlement of Disputes:

If any dispute or differences of any kind whatsoever other than those in respect of which, the decision of any person is, by the Contract, expressed to be final and binding) shall arise between the Employer and the Contractor or the Engineer and the Contractor in connection with or arising out of the Contract or carrying out of the Works (Whether during the progress of the Works or after their completion and whether before or after the termination, abandonment or breach of the Contract) it, the aggrieved party may refer such dispute within a period of 7 days to the concerned Addl. Municipal Commissioner who shall constitute a committee comprising of three officers i.e. concerned Deputy Municipal Commissioner or Director (ES&P), Chief Engineer other than the Engineer of the Contract and concerned Chief Accountant. The Committee shall give decision in writing within 60 days. Appeal on the Order of the Committee may be referred to the Municipal Commissioner within 7 days. Thereafter the Municipal Commissioner shall constitute a Committee comprising of three Addl. Municipal Commissioners including Addl. Municipal Commissioner in charge of Finance Department. The Municipal Commissioner within a period of 90 days after being requested to do so shall give written notice of committee's decision to the Contractor. Save as herein provided such decision in respect of every matter so referred shall be final and binding upon both parties until the completion of the works, and shall forthwith be given effect to by the Contractor who shall proceed with the works with due diligence, whether he requires arbitration as hereinafter provided or not. If the Commissioner has given written notice of the decision to the Contractor and no Claim to arbitration has been communicated within a period of 90 days from receipt of such notice the said decision shall remain final and binding upon the Contractor.

74 Arbitration and Jurisdiction:

If the Commissioner shall fail to give notice of the decision as aforesaid within a period of 90 days after being requested as aforesaid, or if the Contractor be dissatisfied with any such decision, then and in any such case the Contractor may within 90 days after receiving notice of such decision or within 90 days after the expirations of the first named period of 90 days (as the case may be) require that the matter or matters in dispute be referred to arbitration as hereinafter provided. All disputes or differences in respect of which the decision (if any) of the Commissioner has not become final and binding as aforesaid shall be finally settled by

Arbitration as follows:

Arbitration shall be effected by a single arbitrator agreed upon the parties. The arbitration shall be conducted in accordance with the provisions of the Arbitration Act, 1996 or any statutory modifications

thereof, and shall be held at such place and time within the limits of Brihan Mumbai as the arbitrator may determine. The decision of the arbitrator shall be final and binding upon the parties hereto and the expense of the arbitration shall be paid as may be determined by the arbitrator. Performance under the Contract shall, if reasonably be possible, continued during the arbitration proceedings and payment due to the Contractor by the Employer shall not be withheld unless they are the subject matter of arbitration proceedings. The said arbitrator shall have full power to open up, review and revise any decision, opinion, direction, certification or valuation of the Commissioner and neither party shall be limited in the proceedings before such arbitrator to the evidence or arguments put before the Commissioner for the purpose of obtaining his said decision. No decision given by the Commissioner in accordance with the foregoing provisions shall disqualify him from being called as a witness and giving evidence before the arbitrator on any matters whatsoever relevant to the disputes or difference referred to the arbitrator as aforesaid. All awards shall be in writing and for claims equivalent to 5,00,000 or more such awards shall state reasons for amounts awarded. The expenditure of arbitration shall be paid as may be determined by arbitrator.

In case of any claim, dispute or difference arising in respect of a contract, the cause of action thereof shall be deemed to have arisen in Mumbai and all legal proceedings in respect of any claim, dispute or difference shall be instituted in a competent court in the City of Mumbai only.

75 Copyright:

The copyright of all drawings and other documents provided by the Contractor under the contract shall remain vested in the Contractor or his sub-contractors as the case may be the employer shall have a license to use such drawings and other documents in connection with the design, construction, operation, maintenance of the works. At any time the Employer shall have further license without additional payment to the Contractor to use any such drawings or documents for the purpose of making any improvement of the works or enlargement or duplication of any part thereof, provided that such improvement, enlargement, or duplication by itself or in conjunction with any other improvements, enlargements or duplications already made in accordance with the further license does not result in the duplication of the whole works.

76. Receipts to be signed in firm's name by any one of the partners:

Every receipt for money which may become payable or for any security which may become transferable to the Contractor under these present shall, if signed in the partnership name by any one of the partners, be a good and sufficient discharge to the Commissioner and Municipal Corporation in respect of the money or security purporting to be acknowledged thereby, and in the event of death of any of the partners during the pendency of this contract, it is hereby expressly agreed that every receipt by any one of the surviving partners shall, if so signed as aforesaid, be good and sufficient discharge as aforesaid provided that nothing in this clause contained shall be deemed to prejudice or effect any claim which the Commissioner or the Corporation may hereafter have against the legal representatives of any partners so dying or in respect of any breach of any of the conditions thereof, provided also that nothing in this clause contained shall be deemed prejudicial or affect the respective rights or obligations of the Contractors and of the legal representatives of any deceased Contractors interest.

77. Proprietary data

All documents and other information supplied by the Authority or submitted by an Applicant to the Authority shall remain or become the property of the Authority. Applicants are to treat all information as strictly confidential and shall not use it for any purpose other than for preparation and submission of their Application. The Authority will not return any Application or any information provided along therewith.

78. Correspondence with the Applicant

Save and except as provided in this TENDER, the Authority shall not entertain any correspondence with any Applicant in relation to the acceptance or rejection of any Application.

79. Price Variation Clause (N.A.)

The Contractor shall be reimbursed or shall refund to the Corporation as he case may be the variation in the value of the work carried out from time to time, depending on whether the prices of material and labour as a whole rise or fall, and the method adopted for such computations shall be as given below, it being clearly understood that the contractor shall have no claim for being reimbursed on the ground that the price of a particular material or group of materials have risen beyond the limits of the presumptions made in the following paras, however, no price variations shall be made applicable for contracts upto 12 months:

A) Controlled materials: Price variations shall be permitted in respect of these materials the price level of which is controlled by the Government or its agency. The rate ruling on the date of submission of the tender shall be considered as the basic price of such material for adjustment. Any variation in this rate shall be considered for reimbursement to the contractor or refund to be claimed from the contractor as the case may be. The contractor shall, for the purpose of adjustment submit in original the relevant documents from the suppliers.

B) Labour and other materials: For the purpose of this contract and for allowing reimbursement of refund on account of variation of prices of (i) labour, and (ii) materials other than materials mentioned in A above, computation will be based on the formula enunciated below which is based on the presumptions that:

i) The general price level of labour, rises or falls in proportion to the rise or fall of consumer price index number 9 (general) for working class in Mumbai.

ii) The general price level of materials rises or falls in proportion to rise or fall of whole-sale price index as published by 'Economic Adviser to Govt. of India'.

iii) And that the component of labour is to the extent of 30 percent of 88 percent and the component of materials is to the extent of 70 percent of 88 percent of the value of the work carried out. The remaining 12 percent being the presumptive profit of the contractor. a) Formula for Labour component:

$$VL = (0.88 R) \times 30 \times (I - IO)$$

$$100 IO$$

b) Formula for Material component :

$$VM = (0.88 R \times 70 - C) \times (W - WO)$$

$$100 WO$$

Where –

VL = Amount of price variation to be reimbursed or claimed as refund on account of general rise or fall of index referred to above.

I = Consumer Price Index number of working class for Mumbai (declared by the Commissioner of Labour and Director of Employment, Mumbai) applicable to the period under reference (base year ending 2004-05 as 100 i.e. new series of indices).

IO = Consumer price index number for working class for Mumbai (declared by the Commissioner of labour and Director of Employment, Mumbai) prevailing, on the day of 28 days prior to the date of submission of the tender.

VM = The amount of price variation to be reimbursed or claimed as refund on account of general rise or fall of wholesale price index for period under reference.

W = Average wholesale price index as published by Economic Adviser to Govt. of India applicable to the period under reference.

WO = Wholesale price index as stated above prevailing on the day of 28 days prior to the date of submission of the tender.

R = Total value of the work done during the period under reference as recorded in the Measurement Book excluding water charges and sewerage charges but including cost of excess in respect of item upto 50 percent

C = Total value of Controlled materials used for the works as recorded in Measurement Book and paid for at original basic rate plus the value of materials used .

i) The quantity of the Controlled material adopted in working out the value of 'C' shall be inclusive of permitted wastages as / if mentioned in specifications.

ii) The basic rate for the supply of controlled material shall be inclusive of all the components of cost of materials excluding transport charges incurred for bringing the material from place of delivery to the site.

Computations based on the above formula will be made for the period of each bill separately and reimbursement will be made to (when the result is plus) and refund will claimed from (when the result is minus) the contractor's next bill. The above formulae will be replaced by the formulae in Annexure-I as and when mentioned in special conditions of contract

The operative period of the contract for application of price variation shall mean the period commencing from the date of commencement of work mentioned in the work order and ending on the date when time allowed for the work order and ending on the date when time allowed for the work specified in the contract for work expires, taking into consideration, the extension of time, if any, for completion of the work granted by Engineer under the relevant clause of the conditions of contract in cases other than those where such extension is necessitated on account of default of the contractor.

The decision of the Engineer as regards the operative period of the contract shall be final and binding on the contractors.

iii) Where there is no supply of controlled items to contractor the component 'C' shall be taken as zero.

C) Adjustment after completion: If the Contractor fails to complete the works within the time for completion adjustment of prices thereafter until the date of completion of the works shall be made using either the indices or prices relating to the prescribed time for completion, or the current indices or prices whichever is more favorable to the employer, provided that if an extension of time is granted, the above provision shall apply only to adjustments made after the expiry of such extension of time.

D) Price variation will be calculated similarly and separately for extra items and / or excess quantities and provisional sums calculated under Sub Clause 10 (b)A (i)&(ii) and Sub Clause 10 (b) B(ii) based on the above formula/formulae in Annexure-I as and when mentioned in Special conditions of contract; IO and WO being the indices applicable to the date on which the rates under Sub Clause 10 (a)A (i)&(ii) and Sub Clause 10 (a) B(iii) are fixed. No price variation shall be admissible for FAIR items created during execution.

80. Maximum Price Variation shall be as follows:

Time Period of Project	Maximum limit of Price Variation
Up to 12 months	No variation allowed
Above 12 months to 24 months	5%
Above 24 months	10%

***Approval of AMC/MC shall be obtained before invitation of tender in case of any changes in above.**

Note: 1) The extension in time period for the projects originally estimated including monsoon results in change of price variation slabs as mentioned above i.e. from first slab to second slab or from second slab to third slab, then the maximum limit of original slab will prevail.

2) Operative period shall mean original or extended time period of contract.

For example:

Extension of Time period	Maximum Price Variation
--------------------------	-------------------------

If original period of 11 months including monsoon extends to 16. The operative period will be 11+5 months.	No variation allowed
If original period of 11 months excluding monsoon extends to 16. The operative period will be 11+5 months.	Maximum 5% variation allowed

Price Variation during Extended Period of Contract:

(i) Extension Due To Modification & Extension for delay due to BMC:

The price variation for the period of extension granted shall be limited to the amount payable as per the Indices. In case the indices increases or decreases, above/below the indices applicable, to the last month of the original or extended period vide clause 8 (I)(a)(i) and (ii) of standard GCC

(ii) Extension Of Time for Delay Due to Contractor:

(a) The price variation for the period of extension granted shall be limited to the amount payable as per the Indices in case the indices increase, above the indices applicable, to the last month of the original completion period or the extended period vide above clause 8(I)(a)(i) and (ii) of standard GCC.

(b) The price variation shall be limited to the amount payable as per the indices, in case the indices decrease or fall below the indices applicable, to the last month of original / extended period of completion period vide above clause 8(I)(b) of standard GCC, then lower indices shall be adopted.

(iii) Extension of Time for Delay due to reasons not attributable to BMC and Contractor (Reference Cl.8(d) of Standard GCC):

The price variation for the period of extension granted shall be limited to the amount payable as per the Indices in case the indices increases or decreases, above/below the indices applicable, to the last month of the original period.

81. Payment:

Interim Payment:

ii) Interim bills shall be submitted by the Contractor from time to time (but at an interval of not less than one month) for the works executed. The Engineer shall arrange to have the bills

iii) Verified by taking or causing to be taken, where necessary, the requisite measurement of work.

iv) Payment on account for amount admissible shall be made on the Engineer certifying the sum to which the Contractor is considered entitled by way of interim payment for all the work executed, after deducting there from the amount already paid, the security deposit / retention money and such other amounts as may be deductible or recoverable in terms of the contract.

iii) On request, the contractor will be paid upto 75 percent of the value of the work carried out as an adhoc payment in the first week of next month after deducting there from recoveries on account of advances, interest, retention money, income tax etc. The balance payment due will be paid thereafter.

iv) No interim payment will be admitted until such time the Contractor have fully complied with the requirement of the Condition no.8 (g) and 8 (h) concerning submission and approval of Network Schedule for the works, as detailed in Condition 8 (h). A fixed sum shall be held in abeyance at the time of next interim payment for non-attainment of each milestone in the network and shall be released only on attainment of the said milestone.

v) An interim certificate given relating to work done or material delivered may be modified or corrected by a subsequent interim certificate or by the final certificate. No certificate of the Engineer supporting an interim payment shall of itself be conclusive evidence that any work or materials to which it relates is / are in accordance with the contract.

82 Banning /De-Registration of Agencies of Construction works in BMC

· The regulations regarding Demotion/ Suspension Banning for specific period or permanently / De-Registration shall be governed as per the respective condition in Contractor Registration Rules of BMC.

83. JOINT VENTURE (N.A.)

In case if Joint Venture is allowed for the Project, the guidelines for JV as follows shall be incorporated in the Tender Document:

a) Joint Venture should be allowed only when the number of identifiable different works is more than one and/or the estimated cost of tender is more than Rs.100 Crores. JV shall also be allowed for complex technical work below Rs.100 Crores with the approval of concerned AMC

b) Separate identity/name shall be given to the Joint Venture firm.

c) Number of members in a JV firm shall not be more than three in normal circumstances, if the work involves only one discipline (say Civil or Electrical). If number of members in JV is required to be more than three, then approval of concerned AMC needs to be sought.

d) A member of JV firm shall not be permitted to participate either in individual capacity or as a member of another JV firm in the same tender.

e) The tender form shall be purchased and submitted in the 'name of the JV firm or any con-stituent member of the JV.

f) Normally EMD shall be submitted only in the name of the JV and not in the name of con-stituent member. However, EMD in the name of lead partner can be accepted subject to submission of specific request letter from lead partner stating the reasons for not submitting the EMD in the name of JV and giving written confirmation from the JV partners to the effect that the EMD submitted by the lead partner may be deemed as EMD submitted by JV firm.

g) One of the members of the JV firm shall be the lead member of the JV firm who shall have a majority (at least 51%) share of interest in the JV firm. The other members shall have a share of not less than 20% each in case of JV firms with up to three members and not less than 10% each in case of JV firms with more than three members. In case of JV firm with foreign member(s), the lead member has to be an Indian firm with a minimum share of 51%.

h) A copy of Letter of Intent or Memorandum of Understanding (MoU) executed by the JV members shall be submitted by the JV firm along with the tender. The complete details of the members of the JV firm, their share and responsibility in the JV firm etc. particularly with reference to financial technical and other obligation shall be furnished in the agreement.

i) Once the tender is submitted, the agreement shall not be modified/altered/terminated during the validity of the tender. In case the tenderer fails to observe/comply with this stipulation, the full Earnest Money Deposit (EMD) shall be forfeited. In case of successful tenderer, the validity of this agreement shall be extended till the currency of the contract expires.

j) Approval for change of constitution of JV firm shall be at the sole discretion of the BMC. The constitution of the JV firm shall not be allowed to be modified after submission of the tender bid by the JV firm except when modification becomes inevitable due to succession laws etc. and in any case the minimum eligibility criteria should not get vitiated. In any case the Lead Member should continue to be the Lead Member of the JV firm. Failure to observe this requirement would render the offer invalid.

k) Similarly, after the contract is awarded, the constitution of JV firm shall not be allowed to be altered during the currency of contract except when modification become inevitable due to succession laws etc. and

in any case the minimum eligibility criteria should not get viti-ated. Failure to observe this stipulation shall be deemed to be breach of contract with all consequential penal action as per contract condition.

l) On award of contract to a JV firm, a single Performance Guarantee shall be required to be submitted by the JV firm as per tender conditions. All the Guarantees like Performance Guarantee, Bank Guarantee for Mobilization advance, machinery Advance etc. shall be accepted only in the name of the JV firm and no splitting of guarantees amongst the members of the JV firm shall be permitted.

m) On issue of LOA, an agreement among the members of the JV firm (to whom the work has been awarded) has to be executed and got registered before the Registrar of the Companies under Companies Act or before the Registrar / Sub-Registrar under the Registration Act, 1908. This agreement shall be submitted by the JV firm to the BMC before signing the contract agreement for the work. (This agreement format should invariably be part of the tender condition). In case the tenderer fails to observe/comply with this stipulation, the full

Earnest Money Deposit (EMD) shall be forfeited and other penal actions due shall be taken against partners of the JV and the JV. This joint venture agreement shall have, inter-alia, following clauses:-

i. Joint and several liability - The members of the JV firm to which the contract is awarded, shall be jointly and severally liable to the Employer (BMC) for execution of the project in accordance with General and Special conditions of the contract. The JV members shall also be liable jointly and severally for the loss, damages caused to the BMC during the course of execution of the contract or due to no execution of the contract or part there-of.

ii. Duration of the Joint Venture Agreement -It shall be valid during the entire period of the contract including the period of extension if any and the maintenance period after the work is completed.

iii. Governing Laws - The Joint Venture Agreement shall in all respect be governed by and interpreted in accordance with Indian Laws.

iv. Authorized Member -Joint Venture members shall authorize one of the members on be-half of the Joint Venture firm to deal with the tender, sign the agreement or enter into con-tract in respect of the said tender, to receive payment, to witness joint measurement of work done, to sign measurement books and similar such action in respect of the said ten-der/contract. All notices/correspondences with respect to the contract would be sent only to this authorized member of the JV firm.

No member of the Joint Venture firm shall have the right to assign or transfer the interest right or liability in the contract without the written consent of the other members and that of the employer in respect of the said tender/contract.

n. Documents to be enclosed by the JV firm along with the tender:

i. In case one or more of the members of the JV firm is/are partnership firm(s), following documents shall be submitted:

a. Notary certified copy of the Partnership Deed,

b. Consent of all the partners to enter into the Joint Venture Agreement on a stamp paper of appropriate value (in original).

c. Power of Attorney (duly registered as per prevailing law) in favor of one of the partners to sign the MOU and JV Agreement on behalf of the partners and create liability against the firm.

ii. In case one or more members is/are Proprietary Firm or HUF, the following documents shall be enclosed:

a. Affidavit on Stamp Paper of appropriate value declaring that his Concern is a Proprietary Concern and he is sole proprietor of the Concern OR he is in position of "KARTA" of Hindu Undivided Family and he has the authority, power and consent given by other partners to act on behalf of HUF.

iii. In case one or more members is/are limited companies, the following documents shall be submitted:

a. Notary certified copy of resolutions of the Directors of the Company, permitting the company to enter into a JV agreement, authorizing MD or one of the Directors or Managers of the Company to sign MOU, JV Agreement, such other documents required to be signed on behalf of the Company and enter into liability against the company and/or do any other act on behalf of the company.

b. Copy of Memorandum and articles of Association of the Company.

c. Power of Attorney (duly registered as per prevailing law) by the Company authorizing the person to do/act mentioned in the para (a) above.

o. All the members of the JV shall certify that they have not been black listed or debarred by BMC from participation in tenders/contract in the past either in their individual capacity or the JV firm or partnership firm in which they were members / partners.

p. Credentials & Qualifying criteria: Technical and financial eligibility of the JV firm shall be adjudged based on satisfactory fulfilment of the following criteria:

Technical eligibility criteria: In case of Work involving single discipline, the Lead member of the JV firm shall meet at least 35% requirement of technical capacity as stipulated in tender document.

OR

In case of composite works (e.g. works involving more than one distinct component such as Civil Engineering works, M&E works, Electrical works, etc. and in the case of major bridges, substructure and superstructure etc.), at least one member should have satisfactorily completed 35% of the value of any one component of the project work so as to cover all the components of project work or any member having satisfactorily completed 35% of the value of work of each component during last seven financial years.

In such cases, what constitutes a component in a composite work shall be clearly defined as part of the tender condition without any ambiguity.

Financial eligibility criteria: The contractual payments received by the JV firm or the arithmetic sum of contractual payments received by all the members of JV firm in any one of the previous three financial years and shall be at least **100% of the estimated value** of the work as mentioned in the tender.

84. Compensation for delay:

If the Contractor fails to complete the works and clear the site on or before the Contract or extended date(s) / period(s) of completion, he shall, without prejudice to any other right or remedy of Municipal Corporation on account of such breach, pay as agreed compensation, amount calculated as stipulated below (or such smaller amount as may be fixed by the Engineer) on the contract value of the whole work or on the contract value of the time or group of items of work for which separate period of completion are given in the contract and of which completion is delayed for every week that the whole of the work of item or group of items of work concerned remains uncompleted, even though the contract as a whole be completed by the contract or the extended date of completion. For this purpose, the term 'Contract Value' shall be the value of the work at Contract Rates as ordered including the value of all deviations ordered:

- Completion period for projects (originally stipulated or as extended) not exceeding 6 months: **to the extent of maximum 1 percent per week.**

- Completion period for projects (originally stipulated or as extended) exceeding 6 months and not exceeding 2 years: **to the extent of maximum ½ percent per week.**

- Completion period for projects (originally stipulated or as extended) exceeding 2 years: **to the extent of maximum ¼ percent per week.** When the delay is not a full week or in multiple of a week but involves a fraction of a week the compensation payable for that fraction shall be proportional to the number of days involved.

Provided always that the total amount of compensation for delay to be paid this condition shall not exceed the undernoted percentage of the Contract Value of the item or group of items of work for which a separate period of completion is given.

i) Completion period (as originally stipulated or as extended) not exceeding 6 months: **10 percent.**

ii) Completion period (as originally stipulated or as extended) exceeding 6 months and not exceeding 2 years: **7½ percent.**

iii) Completion period (as originally stipulated or as extended) exceeding 2 years: **5 percent.**

The amount of compensation may be adjusted set off against any sum payable to the contractor under this or any other contract with the Municipal Corporation.

85. Action and Compensation Payable in Case of Bad Work and Not Done as Per Specifications

All works under or in course of execution or executed in pursuance of the contract, shall at all times be open and accessible to the inspection and supervision of the Engineer-in-charge, his authorized subordinates in charge of the work and all the superior officers, officer of the Vigilance Department of the BMC or any organization engaged by the BMC for Quality Assurance and the contractor shall, at all times, during the usual working hours and at all other times at which reasonable notice of the visit of such officers has been given to the contractor, either himself be present to receive orders and instructions or have a responsible agent duly accredited in writing, present for that purpose. Orders given to the Contractor's agent shall be considered to have the same force as if they had been given to the contractor himself.

If it shall appear to the Engineer-in-charge or his authorized subordinates in-charge of the work or to the officer of Vigilance Department, that any work has been executed with unsound, imperfect or unskillful workmanship or with materials of any inferior description, or that any materials or articles provided by him for the execution of the work are unsound or of a quality inferior to that contracted for or otherwise not in accordance with the contract, the contractor shall, on demand in writing which shall be made within twelve months of the completion of the work from the Engineer-in-Charge specifying the work, materials or articles complained of notwithstanding that the same may have been passed, certified and paid for forthwith rectify, or remove and reconstruct the work so specified in whole or in part, as the case may require or as the case may be, remove the materials or articles so specified and provide other proper and suitable materials or articles at his own charge and cost. In the event of the failing to do so within a period specified by the Engineer-in-Charge in his demand aforesaid, then the contractor shall be liable to pay compensation at the same rate as under clause 8.e. of the general condition of contract in section 9 of tender document (for Compensation for delay) for this default. In such case the Engineer-in Charge may not accept the item of work at the rates applicable under the contract but may accept such items at reduced rates as the Engineer in charge may consider reasonable during the preparation of on account bills or final bill if the item is so acceptable without detriment to the safety and utility of the item and the structure or he may reject the work outright without any payment and/or get it and other connected and incidental items rectified, or removed and re-executed at the risk and cost of the contractor. Decision of the Engineer-in-Charge to be conveyed in writing in respect of the same will be final and binding on the contractor.

If the penalization amount exceeds maximum limit with respect to Clause 8.e of Standard General Conditions of Contract, then a show cause notice shall necessarily be issued to the contract as to why the contract should not be terminated.

86. Contractors remain liable to pay compensation:

In any case in which any of the powers conferred upon the Engineer In-charge by the **relevant clauses** in documents that form a part of contract as exercised or is exercisable in the event of any future case of default by the Contractor, he is declared liable to pay compensation amounting to the whole of his security deposit. The liability of the Contractor for past and future compensation shall remain unaffected.

In the event of the Executive Engineer taking action against these **relevant clauses**, he may, if he so desires, take possession of all or any tools and plant, materials and stores in or upon the work of site thereof or belonging to the Contractor or procured by him and intended to be used for the execution of the work or any part thereof paying or allowing for the same in account at the contract rates, or in the case of contract rates not being applicable at current market rates to be certified by the Executive Engineer, may after giving notice in writing to the Contractor or his staff of the work or other authorized agent require him to remove such tools and plants, materials or stores from the premises within a time to be specified in such notice and in the event of the Contractor failing to comply with any such requisition, the Executive Engineer may remove them at the contractors expense of sell them by auction or private sell on account of the Contractor at his risk in all respects and certificate of the Executive Engineer as to the expense of any such removal and the amount of the proceeds an expense of any such sell be final and conclusive against the Contractor.

87. No Claim To Any Payment Or Compensation Or Alteration In Or Restriction Of Work

(a) If at any time after the execution of contract documents, the Engineer shall for any reason whatsoever, desires that the whole or any part of the works specified in the Tender should be suspended for any period or that the whole or part of the work should not be carried out, at all, he shall give to the Contractor a Notice in writing of such desire and upon the receipt of such notice, the Contractor shall forthwith suspend or stop the work wholly or in part as required after having due regard to the appropriate stage at which the work should be stopped or suspended so as not to cause any damage or injury the work already done or endanger the safety thereof, provided that the decision of the Engineer as to the stage at which the work or any part of it could be or could have been safely stopped or suspended shall be final and conclusive against the contractor.

The Contractor shall have no claim to any payment or compensation whatsoever by reason of or in pursuance of any notice as aforesaid, on account of any suspension, stoppage or curtailment except to the extent specified hereinafter.

(b) Where the total suspension of Work Order as aforesaid continued for a continuous period exceeding 90 days the contractor shall be at liberty to withdraw from the contractual obligations under the contract so far as it pertains to the unexecuted part of the work by giving 10 days prior notice in writing to the Engineer within 30 days of the expiry of the said period of 90 days, of such intention and requiring the Engineering to record the final measurement of the work already done and to pay final bill. Upon giving such Notice, the Contractor shall deem to have been discharged from his obligations to complete the remaining unexecuted work under his contract. On receipt of such notice the Engineer shall proceed to complete the measurement and make such payment as may be finally due to the contractor within a period of 90 days from the receipt of such Notice in respect of the work already done by the contractor. Such payment shall not in any manner prejudice the right of the contractor to any further compensation under the remaining provisions of this clause.

(c) Where the Engineer required to Contractor to suspend the work for a period in excess of 30 days at any time or 60 days in the aggregate, the Contractor shall be entitled to apply to the Engineer within 30 days of the resumption of the work after such suspension for payment of compensation to the extent of pecuniary loss suffered by him in respect of working machinery remained ideal on the site of on the account of his having an to pay the salary of wages and labour engaged by him during the said period of suspension provided always that the contractor shall not be entitled to any claim in respect of any such working machinery, salary or wages for the first 30 days whether consecutive or in the aggregate or such suspension or in respect of any such suspension whatsoever occasion by unsatisfactory work or any other default on his part, the decision of the Engineer in this regard shall be final and conclusive against the contractor.

88. Contractor to supply plant, ladder, scaffolding, etc and is liable for damages arising from non provision of lights, fencing, etc.

The Contractor shall supply at his own cost all material, plant, tools, appliances, implements, ladders, cordage, tackle scaffolding and temporary works requisite or proper for the proper execution of the work, whether, in the original altered or substituted form and whether included in the specification of other documents forming part of the contract or referred to in these conditions or not and which may be necessary for the purpose of satisfying or complying with the requirements of the Eng-In-Charge as to any matter as to which under these conditions is entitled to be satisfied, or which is entitled to require together with the carriage therefore to and from the work.

The Contractor shall also supply without charge, the requisite number of person with the means and materials necessary for the purpose of setting out works and counting, weighing and assisting in the measurements of examination at any time and from time to time of the work or materials, failing which the same may be provided by the Engineer In-charge at the expense of the contractor and the expenses may be deducted from any money due to the contractor under the contract or from his security deposit or the proceeds of sale thereof, or offers sufficient portion thereof.

The contractor shall provide all necessary fencing and lights required to protect the public from accident and shall also be bound to bear the expenses of defence of every suit, action or other legal proceedings, that may be brought by any person for injury sustained owing to neglect of the above precautions and to pay any damages and cost which may be awarded in any such suit action or proceedings to any such person or which may with the consent of the contractor be paid for compromising any claim by any such person.

89. Prevention of Fire : The contractor shall not set fire to any standing jungle, trees, brushwood or grass without a written permit from the Engineer In-charge. When such permit is given, and also in all cases when destroying cut or dug up trees brushwood, grass, etc., by fire, the contractor shall take necessary measure to prevent such fire spreading to or otherwise damaging surrounding property. The Contractor shall make his own arrangements for drinking water for the labour employed by him.

90. Compensation for all damages done intentionally or unintentionally by contractor's labour whether in or beyond the limits of BMC property including any damage caused by spreading the fire shall be estimated by the Engineer In-charge or such other officer as he may appoint and the estimate of the Engineer in-charge to the decision of the Dy. Chief Engineer on appeal shall be final and the contractor shall be bound to pay the amount of the assessed compensation on demand failing which the same will be recovered from the Contractor as damages or deducted by the Engineer In-charge from any sums that may be due or become due from BMC to contractor under this Contract or otherwise. Contractor shall bear the expenses of defending any action or other legal proceedings that may be brought to prevent the spread of fire and he shall pay any damages and costs that may be awarded by the Court in consequence.

91. In the case of Tender by partners, any change in the constitution of the firm shall be forthwith, notified by the contractor through the Engineer In-charge for his information.

92. Action where no specifications:

In the case of any class of work for which there is no such specifications, such works shall be carried out in accordance with the specifications and in the event of there being no such specifications, then in such case, the work shall be carried out in all respects in accordance with all instructions and requirements of the Engineer In-charge.

93. Safety and medical help :

(i) The Contractor shall be responsible for and shall pay the expenses of providing medical help to any workmen who may suffer a bodily injury as a result of an accident. If such expenses are incurred by BMC,

the same shall be recoverable from the contractor forthwith and be included without prejudice to any other remedy of BMC from any amount due or that may become due to the Contractor.

(ii) The contractor shall provide necessary personal safety equipment and first-aid box for the use of persons employed on the site and shall maintain the same in condition suitable for immediate use at any time.

3) The workers shall be required to use the safety equipments so provided by the contractor and the contractor shall take adequate steps to ensure the proper use of equipments by those concerned.

4) When the work is carried on in proximity to any place where there is risk or drawing all necessary equipments shall be provided and kept ready for use and all necessary steps shall be taken for the prompt rescue of any person in danger.

5) No compensation shall be allowed for any delay caused in the starting of the work on account of acquisition of land or in the case of clearance of works, on account of any delay in according to sanction of estimates.

95. Anti-malaria and other health measures: Anti-Malaria and other health measures shall be taken as directed by the Executive Health Officer of BMC. Contractor shall see that mosquito genic conditions are created so as to keep vector population to minimum level. Contractor shall carry out anti-malaria measures in the area as per the guidelines issued by the Executive Health Officer of BMC from time to time.

In case of default, in carrying out prescribed anti-malaria measures resulting in increase in malaria incidence, contractor shall be liable to pay BMC on anti-malaria measures to control the situation in addition to fine.

SECTION 10
FRAUD AND CORRUPT PRACTICES

FRAUD AND CORRUPT PRACTICES

· The Applicants and their respective officers, employees, agents and advisers shall observe the highest standard of ethics during the Bidding Process. Notwithstanding anything to the contrary contained herein, the Authority may reject an Application without being liable in any manner whatsoever to the Applicant if it determines that the Applicant has, directly or indirectly or through an agent, engaged in corrupt practice, fraudulent practice, coercive practice, undesirable practice or restrictive practice in the Bidding Process.

· Without prejudice to the rights of the Authority under relevant Clause hereinabove, if an Applicant is found by the Authority to have directly or indirectly or through an agent, engaged or indulged in any corrupt practice, fraudulent practice, coercive practice, undesirable practice or restrictive practice during the Bidding Process, such Applicant shall not be eligible to participate in any tender or RFQ issued by the Authority during a period of 2 (two) years from the date such Applicant is found by the Authority to have directly or indirectly or through an agent, engaged or indulged in any corrupt practice, fraudulent practice, coercive practice, undesirable practice or restrictive practice, as the case may be.

· For the purposes of this Clause , the following terms shall have the meaning hereinafter respectively assigned to them:

A. “corrupt practice” means the offering, giving, receiving, or soliciting, directly or indirectly, of anything of value to influence the actions of any person connected with the Bidding Process (for avoidance of doubt, offering of employment to, or employing, or engaging in any manner whatsoever, directly or indirectly, any official of the Authority who is or has been associated in any manner, directly or indirectly, with the Bidding Process or the LOA or has dealt with matters concerning the Concession Agreement or arising there from, before or after the execution thereof, at any time prior to the expiry of one year from the date such official resigns or retires from or otherwise ceases to be in the service of the Authority, shall be deemed to constitute influencing the actions of a person connected with the Bidding Process); or save and except as permitted under the relevant sub clause, engaging in any manner whatsoever, whether during the Bidding Process or after the issue of the LOA or after the execution of the Concession Agreement, as the case may be, any person in respect of any matter relating to the Project or the LOA or the Concession Agreement, who at any time has been or is a legal, financial or technical adviser of the Authority in relation to any matter concerning the Project;

B. “fraudulent practice” means a misrepresentation or omission of facts or suppression of facts or disclosure of incomplete facts, in order to influence the Bidding Process ;

C. “coercive practice” means impairing or harming or threatening to impair or harm, directly or indirectly, any person or property to influence any persons participation or action in the Bidding Process;

D. “undesirable practice” means (i) establishing contact with any person connected with or employed or engaged by the Authority with the objective of canvassing, lobbying or in any manner influencing or attempting to influence the Bidding Process; or (ii) having a Conflict of Interest; and

E. “Restrictive practice” means forming a cartel or arriving at any understanding or arrangement among Applicants with the objective of restricting or manipulating a full and fair competition in the Bidding Process.

F. If the Employer/Financier determines that the Contractor has engaged in corrupt, fraudulent, collusive, coercive or obstructive practices, in competing for or in executing the Contract, then the Employer may, after giving 14 days’ notice to the Contractor, terminate the Contractor’s employment under the

Contract and expel him from the Site, and the provisions of relevant Clause shall apply as if such expulsion had been made.

G. Should any employee of the Contractor be determined to have engaged in corrupt, fraudulent, collusive, coercive, or obstructive practice during the execution of the Works, then that employee shall be removed in accordance with relevant Clause.

For the purposes of this Sub-Clause:

i. "corrupt practice" is the offering, giving, receiving to soliciting, directly or indirectly, of anything of value to influence improperly the actions of another party;

ii. "another party" refers to a public official acting in relation to the procurement process or contract execution. In this context, "public official" includes Financer staff and employees of other organizations taking or reviewing procurement decisions.

iii. "fraudulent practice" is any act or omission, including a misrepresentation, that knowingly or recklessly misleads, or attempts to mislead, a party to obtain a financial or other benefit or to avoid an obligation;

iv. "collusive practice" is an arrangement between two or more parties designed to achieve an improper purpose, including to influence improperly the actions of another party;

v. "coercive practice" is impairing or harming, or threatening to impair or harm,

directly or indirectly, any party or the property of the party to influence improperly the actions of a party;

6) "obstructive practice" is deliberately destroying, falsifying, altering or concealing of evidence material to the investigation or making false statements to investigators in order to materially impede the Financier investigation into allegations of a corrupt, fraudulent, coercive or collusive practice; and/or threatening, harassing or intimidating any party to prevent it from disclosing its knowledge of matters relevant to the investigation or from pursuing the investigation; or acts intended to materially impede the exercise of the Financer's inspection and audit rights provided

7) "party" refers to a public official; the terms "benefit" and "obligation" relate to the procurement process or contract execution; and the "act or omission" is intended to influence the procurement process or contract execution.

8) "parties" refers to participants in the procurement process (including public officials) attempting to establish bid prices at artificial, noncompetitive levels.

9) a "party" refers to a participant in the procurement process or contract execution.

(This page is intentionally kept blank)

SECTION 11
PRE BID MEETING (N.A.)

PREBID MEETING (Not applicable for this tender)

As the work is of regular routine type, Pre-Bid Meeting is not applicable for this tender.

SECTION 12

SPECIAL INSTRUCTIONS TO

TENDERERS

SPECIAL INSTRUCTIONS TO TENDERERS

1. Work Records: **All specified, up to date site record should be prepared & maintained by the contractors and shall be produced as and when required, duly certified by the site engineer.**
2. Contract Labour (Regulation and Abolition Act 1970): The tenderer(s) should specifically note that the successful tenderer shall have to strictly comply with all the statutory requirement under the provision of the Contract Labour (Regulation and Abolition) Rules 1970 and with the Maharashtra State Contract Labour (Regulation and Abolition) Rules 1971 and indemnify the Corporation against any claim(s) whatsoever.
As per contract labour (Regulating Abolition Act 1970) every contractor should obtain a license certificate from the office of labour commissioner situated at commerce centre Tardeo, near A.C.Market, Mumbai 400 034.
3. Tenderer are requested to take cognizance of Child Labour Act and take precaution not to employ child Labourers on site. If Child Labourer is found to be employed on the work , a penalty of Rs. 5000/- on the spot will be imposed on the defaulting contractors and further action, as deemed fit as per law will be initiated.
4. Tenderer is requested to refer to relevant prevailing Fair Market Schedules of B.M.C for full description of the items in the B.O.Q.
5. No extra payment shall be admissible for dewatering the trenches, carrying the material by head load transport or approaches to the work site.
6. The contract period is excluding monsoon but including period required for mobilization, procurement of material, traffic permission, other required permissions, erection of site office etc. complete and shall be reckoned from the date of issue of work order.
7. Tenderer(s) is requested to note the units for various items carefully before quoting the rates.
8. Rates of each item of work mentioned in the schedule should be well scrutinized with the due consideration of each item before submitting the tender as no variation in rates will be allowed on any ground as mistake or misunderstanding after the tender has been submitted.
- 9 Tenderer should specifically state their residential addresses besides their official addresses along with the telephone and mobile number. The contractor or their partners and authorized representative shall be available on a given telephone number during any hours.
10. The tenderers may need to work simultaneously at multiple places as desired by Engineer in charge to complete the work within contract period.
11. Tenderers shall pursue to obtain permission from traffic police department within mobilization period and shall provide various boards and proper barricading of trenches wherever necessary on site to have smooth traffic as per the requirement of traffic police department and shall have proper coordination with office of Dy. H.E. (Ops.)
12. Tenderer shall pursue to obtain all the permissions of the concerned authorities required for carrying out the work. Only recommendatory letters will be issued by the B.M.C
13. On completion of work the contractors shall furnish free of cost five sets of completion drawing and soft copy, showing details of all work. The same shall be checked and sign by engineer and shall be submitted within 1 month of completion of work or at time of submission of final bill whichever is earlier. The payments of final bill shall be made to contractor after receipt of above sets. In the case the contractor fails to submit the completion drawings, a compensation at the rate of Rs. 5000/- per drawing shall be recovered from the final bill.
14. The Contractors should provide suitably required number of M.S. plates on trenches of suitable thickness and size for smooth movement of vehicular traffic as per the requirement of traffic department. Contractor should note that no payment will be made to the contractor for providing, removing and refixing M.S. plates on trench etc.
15. While excavation of trenches, temporary arrangement like placing of M.S. plate over trenches in front of the entrances of the properties shall be done to allow vehicles/ public entries to the properties. No extra payment will be made for this.

16. Tenderer should note that the supply of material such as Bricks, Metal and Sand included in the Bill of Quantities shall be made available anywhere in the Outside City Division or at the departmental work chowkies as directed. The rates of these supply items include transport, loading, unloading etc. complete.
17. Tenderer shall be registered under the GST Act.
18. The entire excavated material & debris is to be removed from the site by the contractor at their risk & cost as directed by Engineer for any distance. The bidders shall note that no payment will be given for removal & transportation of excavated debris / material. Any claim in respect of this, will be refused or rejected.
19. Barricading shall be provided free of cost as per circular vide V/no. MGC/F/6342 dtd 05.05.2018 and as per Annexure I,II &III of standard drawings and specifications with slogans and department wise colour code.
20. The noise level shall be maintained within the permissible limit in Silence Zone area during the construction activities by the Contractor as per notification dtd 14.02.2000 issued by the Ministry of Environments & Forests.
21. Building & other construction labour welfare cess shall be applicable to the tenderer as per circular no. CA/FRT/12 dated 21.06.2012
- 22 The conditions regarding revised "Decision rule" will be applicable as per Cir u/no.Dir/ES&P /324 dt.15.07.2015.
- 23) If any damages to property / assets of BMC was done by contractor during execution of work, contractor has to repair or reconstruct it at his risk and const.
- 24) Diversions if required, during execution of work shall be done for movement of traffic at risk and cost of contractor. No payment will be made on this account.
- 25) Scrap material generated from the work should be deposited to office campus at location indicated by the site in-charge. Payment for transportation of scrap from site to office campus will not be made to the contractor.
- 26) All the excavated material belongs to the Brihanmumbai municipal corporation and therefore shall be the property of Brihanmumbai Municipal Corporation. It will be mandatory on the part of contractor to use this material in the execution of works under the instant contract or on any other sites of other contracts of BMC as directed by the Engineer; if the quality of material is as per the specification. If any excavated material is used on construction sites then the remainder surplus earth OR if no excavated material is utilized on Municipal works then the entire surplus excavated earth /any material including de-silted material shall be removed /transported from sites by the contractor within 24 hours; for which no separate payment will be made. If Municipal dumping grounds are not available for removal of surplus earth then the contractors shall make his own arrangements for removal /transportation /disposal of excavated surplus earth or any other material at his own risk and cost It shall be distinctly noted that BMC will not make any payment towards removal / transportation / disposal of surplus excavated earth or any other material including desilted material from construction site to either on Municipal dumping ground (I made available) or to contractor's own dumping facility. The contractors shall take in to account the fact while quoting. "The circular regarding Waste management Rules 2016 vide under no. MGC/F/7076 dated 30.08.2018 & Circular u /no .Dy.Ch.E./SWM/3957 dtd .28.09.2018 will be applicable to this tender."
27. Material Testing:- All material testing shall be in accordance with Chief engineer (Vigilance) circular under No. Ch.E.(Vig.)/7123/B date 14.03.2017 as below.or circular enforce at the time of execution of work.
28. Please note that all the prevailing circulars/policies of BMC in force as on date of submission of current bid shall be applicable to this tender even if not mentioned specifically.
29. If the works as directed by Engineer are not carried out within the given time limit, a penalty of Rs 5000/- per day will be imposed.

Note:- Tenderer shall note that any changes/modification in any type of Taxes / Levies / Charges / Fees etc. came in force time to time is binding upon the Tenderer & the same shall be borne by them without any dispute.

(This page is intentionally kept blank)

SECTION 13
LIST OF APPROVED BANK FOR
ACCEPTANCE OF BANK GUARANTEE

List of approved bank for Acceptance of Bank Guarantee

- 1) The following banks with their Branches in BRIHANMUMBAI from Churchgate to Virar & from CST to Kalyan have been approved only for the purpose of accepting Banker's guarantee from 1994-95 onwards until further instructions.
- 2) The Banker's guarantee issued by branches of approved Banks beyond Kalyan and Virar can be accepted only if the said Banker's Guarantee is countersigned by the Manager of a Branch of the same bank within the Mumbai city limits, categorically endorsing thereon that the said Banker's Guarantee is binding on the endorsing Branch of the Bank within Mumbai limits and is liable to be enforced against the said Branch of the Bank in case of default by the bidder / supplier furnishing the Banker's Guarantee.
- 3) List of approved bank

A	S.B.I and its subsidiary Banks	D	Schedule Urban Co-op Banks
1	State Bank Of India.	25	Abhyudaya Co-op Bank Ltd.
B	Nationalized Banks	26	Bassein Catholic Co-op Bank Ltd.
1	Bank Of Baroda.	27	Bharat Co-op Bank Ltd.
2	Bank Of India.	28	Bombay Mercantile Co-op Bank Ltd.
3	Bank Of Maharashtra.	29	Cosmos Co-op Bank Ltd.
4	Indian Overseas Bank.	30	BRIHANMUMBAI Co-op Bank Ltd.
5	Punjab National Bank.	31	JanataSahakari Bank Ltd.
6	Syndicate Bank.	32	Mumbai District Central Co-op Bank Ltd.
7	Union Bank Of India.	33	Maharashtra State Co-op Bank Ltd.
C	Scheduled Commercial Banks	34	New India Co-op Bank Ltd.
1	Bank Of Madura Ltd.	35	North Canara G.S.B. Co-op Bank Ltd.
2	Bank Of Rajasthan Ltd.	36	Rupee Co-op Bank Ltd.
3	Banaras State Bank Ltd.	37	Sangli Urban Co-op Bank Ltd.
4	Bharat Overseas Bank Ltd	38	Saraswat Co-op Bank Ltd.
5	Catholic Syrian Bank Ltd.	39	ShamraoVithal Co-op Bank Ltd.
6	City Union Bank Ltd.	40	Mahanagar Co-op Bank Ltd.
7	Development Credit Bank.	41	Citizen Bank Ltd.
8	Dhanalakshmi Bank Ltd.	42	Yes Bank Ltd.
9	Federal Bank Ltd.	E	Foreign Banks
10	Indsind Bank Ltd.	43	ABM AMRO (N.Y.) Bank.
11	I.C.I.C.I Banking Corporation Ltd.	44	American Express Bank Ltd.
12	Global Trust Bank Ltd.	45	ANZ Grindlays Bank Ltd.
13	Jammu &Kashmir Bank Ltd.	46	Bank Of America N.T. &S.A.
14	Karnataka Bank Ltd.	47	Bank Of Tokyo Ltd.
15	KarurVysya Bank Ltd.	48	Bankindosuez.
16	Laxmi Vilas Bank Ltd.	49	BanqueNationale de Paris.
17	Nedugundi Bank Ltd.	50	Barclays bank.
18	Ratnakar Bank Ltd.	51	City Bank N.A.
19	Sangli Bank Ltd.	52	Hongkong &Shanghai banking Corporation.
20	South Indian Bank Ltd.	53	Mitsui Taiyokbe Bank Ltd.
21	S.B.I Corporation &Int Bank Ltd.	54	Standard Chartered Bank.
22	Tamilnadu Mercantile Bank Ltd.	55	Cho Hung Bank.
23	United Western Bank Ltd.		
24	Vysya Bank Ltd.		

SECTION 14
APPENDIX

APPENDIX**FORM OF TENDER**

The Municipal Commissioner,
Brihanmumbai Municipal Corporation.

Sir,

I/ We have read and examined the following documents relating to the construction of

-
-
-
- i. Notice inviting tender.
 - ii. Directions to tenderers (General and special)
 - iii. General condition of contract for Civil Works of the Brihanmumbai Municipal Corporation as amended up to date.
 - iv. Relevant drawings
 - v. Specifications.
 - vi. Special directions
 - vii. Annexure A and B.
 - viii. Bill of Quantities and Rates.

1A. I/We _____

(full name in capital letters, starting with surname), the Proprietor/ Managing Partner/ Managing Director/ Holder of the Business, for the establishment / firm / registered company, named herein below, do hereby offer to

.....

Referred to in the specifications and schedule to the accompanying form of contract of the rates entered in the schedule of rates sent herewith and signed by me/ us" (strike out the portions which are not applicable).

1B. I/We do here by state and declare that I/We, whose names are given herein below in details with the addresses, have not filled in this tender under any other name or under the name of any other establishment /firm or otherwise, nor are we in any way related or concerned with the establishment /firm or any other person, who have filled in the tender for the aforesaid work."

2. I/We hereby tender for the execution of the works referred to in the aforesaid documents, upon the terms and conditions, contained or referred to therein and in accordance with the specifications designs, drawings and other relevant details in all respects.

* At the rates entered in the aforesaid Bill of Quantities and Rates.

3. According to your requirements for payment of Earnest Money amounting to Rs. _____ /- (Rs. _____)

I/We have deposited the amount through online payment gateways with the C.E. of the Corporation not to bear interest

4. I/We hereby request you not to enter into a contract with any other person/s for the execution of the works until notice of non/acceptance of this tender has first been communicated to me/us, and in consideration of yours agreeing to refrain from so doing I/we agree not to withdraw the offer constituted by this tender before the date of communication to me/us of such notice of non/acceptance, which date shall be not later than ten days from the date of the decision of the Standing Committee or Education Committee of the Corporation, as maybe required under the Mumbai Municipal Corporation Act, not to accept this tender.(Subject to condition 5 below).

5. I/We also agree to keep this tender open for acceptance for a period of 180 days from the date fixed for opening the same and not to make any modifications in its terms and conditions which are not acceptable to the Corporation.

6. I/We agree that the Corporation shall, without prejudice to any other right or remedy, be at liberty to forfeit the said earnest money absolutely, if.

a. I/We fail to keep the tender open as aforesaid.

b. I/We fail to execute the formal contract or make the contract deposit when called upon to do so.

c. I/we do not commence the work on or before the date specified by the Engineer in his work order.

7. I/We hereby further agree to pay all the charges of whatsoever nature in connection with the preparation, stamping and execution of the said contract.

8. I/We further agree that, I/we shall register ourselves as 'Employer' with the Bombay Iron and Steel Labour Board' and fulfill all the obligatory provisions of Maharashtra Mathadi, Hamal and other Manual workers

(Regulation of Employment and Welfare) Act 1969 and the Bombay Iron and Steel unprotected workers Scheme 1970.

9. "I/We..... have failed in the accompanying tender with full knowledge of liabilities and, therefore, we will not raise any objection or dispute in any manner relating to any action, including forfeiture of deposit and blacklisting, for giving any information, which is found to be incorrect and against the instructions and directions given in this tender.

10. "I/We further agree and undertake that in the event it is revealed subsequently after the allotment of work/contract to me/us, that any information given by me/us in this tender is false or incorrect, I/We shall compensate the Brihanmumbai Municipal Corporation for any such losses or inconvenience caused to the Corporation in any manner and will not resist any claim for such compensation on any ground whatsoever. I/we agree and undertake that I/we shall not claim in such case any amount by way of damages or compensation for cancellation of the contract given to me/us or any work assigned to me/us or is with-drawn by the Corporation,"
Address

Yours faithfully,

.....
.....

Digital Signature of the Tenderer or the Firm

- 1.....
- 2.....
- 3.....
- 4.....
- 5.....

Full Name and private residential address of all the partners constituting the Firm

A/c No.

- 1.....
- 2.....
- 3.....
- 4.....
- 5.....

-
- Name of Bank
-
- Name of Branch
-
- Vender No.

AGREEMENT FORM

Tender / Quotation

dated 2024

Standing Committee/Education Committee Resolution No.

CONTRACT FOR THE WORKS

This agreement made this day of

Two thousand Between

inhabitants of Mumbai, carrying on business at.....

in Mumbai under the style and name of Messrs

"the contractor of the one part and Shri (Hereinafter called

the D.M.C.(SE) (hereinafter called "the commissioner" in which expression are included unless the inclusion is inconsistent with the context, or meaning thereof, his successor or successors for the time being holding the office of Director (E,S.& P)of the second part and the Brihanmumbai Municipal Corporation (hereinafter called "the Corporation") of the third part, WHEREAS the contractor has tendered for the construction, completion and maintenance of the works described above and his tender has been accepted by the Commissioner (with the approval of the Standing Committee/Education Committee of the Corporation NOW THIS

THIS AGREEMENT WITNESSETH as follows:-

1. In this agreement words and expressions shall have the same meanings as are respectively assigned to them in the General Conditions of Contract for works hereinafter referred to
2. The following documents shall be deemed to form and be read and constructed as a part of this agreement viz.
 - a) The letter of Acceptance
 - b) The Bid
 - c) Addendum to Bid; if any
 - d) Tender Document
 - e) The Bill of Quantities:
 - f) The Specification:
 - g) Detailed Engineering Drawings
 - h) Standard General Conditions of Contracts (GCC)
 - i) All correspondence documents between bidder and BMC
- 3) In consideration of the payments to be made by the Commissioner to the contractor as hereinafter mentioned the contractor hereby covenants with the Commissioner to construct, complete and maintain the works in conformity in all respects with the provision of the contract. The Commissioner hereby covenants to pay to the Contractor in consideration of the construction, completion and maintenance of the works the contract sum, at times and in the manner prescribed by the contract.
- 4) IN WITNESS WHERE OF the parties hereto have caused their respective common seals to be herein to affixed (or have hereunto set their respective hands and seals) the day and year above written.

Signed, Sealed and delivered by the contractors	
In the presence of	
Full Name	
Address	
Signed by the D.M.C. (S.E.) in the presence of	Ex. Eng (Operations)
	D.M.C. (S.E.)
The Common seal of the Brihanmumbai Municipal Corporation was hereunto affixed on the 20 in the presence of two members of the Standing Committee.	
1.	1.
2.	2.
And in the presence of the Municipal Secretary	Municipal Secretary

ANNEXURE " A "**Name of work : Electrification work of 11 new toilet blocks in O.C. Division.**

1.	The Engineer for this work:	Hydraulic Engineer - (Shri.P.L.Malwade) Dy.H.E.(Operations) – (Shri.P.V.Sheth) Ex.Eng.(Operations) O.C.- (Shri. J.P.Kharade)
2.	Estimated cost of Tender:	

Sr No	Description of work	Total Amount Rs.
1	Civil Work	-
2	M&E Work	Rs.10,46,268/-
	Total Amount	Rs.10,46,268/-

	Earnest Money (1% of the Estimated cost)	Rs.10,500/-
	Time Period	04 Months (Including Monsoon)
	Contract as a whole Period completion	
	Part or Groups of items	
	i)	i)
	ii)	ii)
	iii)	iii)

Percentage to be charged as supervision charges for the work got executed through other meanspercent.

The "Actual cost of the work" shall mean in the case of percentage rate contracts the actual cost of the work executed at the rates as mentioned in the Contract Schedule adjusted by the Contractor's percentage rate and cost of extra and excess, but excluding the cost on account of Water Charges and Sewerage Charges if any, payable by the contractor and also excluding cost on account of price variation claims as provided in price variation clause as amended up to date.

In case of item rate contracts the actual cost calculated for the work executed at the rates mentioned in the contract schedule for different items including cost of excess and extra items of the work excluding the cost of water charges and sewerage charges if any, payable by the contractor and excluding cost on account of price variation claims as provided in extra excess conditions as amended up to date.

In case of lump sum contract the cost of the work actually carried out as per break up and programme of the work and the schedule of payment included in the contract including cost of any excess and/or extra items, of the work, excluding the cost on account of water charges and sewerage charges and also excluding cost on account of price variation claims as provided in extra excess conditions as amended up to date.

Annexure- B**PRE-CONTRACT INTEGRITY PACT**

The Bidder commits himself to take all measures necessary to prevent corrupt practices, unfair means and illegal activities during any stage of his bid or during any pre-contract or post-contract stage in order to secure the contract or in furtherance to secure it and in particular commits himself to the following: -

1. The Bidder will not offer, directly or through intermediaries, any bribe, gift, consideration, reward, favour, any material or immaterial benefit or other advantage, commission, fees, brokerage or inducement to any official of the BMC, connected directly or indirectly with the bidding process, or to any person, organization or third party related to the contract in exchange for any advantage in the bidding, evaluation, contracting and implementation of the Contract.
2. The Bidder further undertakes that he has not given, offered or promised to give, directly or indirectly any bribe, gift, consideration, reward, favour, any material or immaterial benefit or other advantage, commission, fees, brokerage or inducement to any official of the BMC or otherwise in procuring the Contract or forbearing to do or having done any act in relation to the obtaining or execution of the Contract or any other Contract with the Government for showing or forbearing to show favour or disfavor to any person in relation to the Contract or any other Contract with the Government.
3. The Bidder will not collude with other parties interested in the contract to impair the transparency, fairness and progress of the bidding process, bid evaluation, contracting and implementation of the contract.
4. The Bidder will not accept any advantage in exchange for any corrupt practice, unfair means and illegal activities.
5. The Bidder, either while presenting the bid or during pre-contract negotiations or before signing the contract, shall disclose any payments he has made, is committed to or intends to make to officials of the BMC or their family members, agents, brokers or any other intermediaries in connection with the contract and the details of services agreed upon for such payments.
6. The Bidder shall not use improperly, for purposes of competition or personal gain, or pass on to others, any information provided by the BMC as part of the business relationship, regarding plans, technical proposals and business details, including information contained in any electronic data carrier. The Bidder also undertakes to exercise due and adequate care lest any such information is divulged.
7. The Bidder commits to refrain from giving any complaint directly or through any other manner without supporting it with full and verifiable facts.
8. The Bidder shall not instigate or cause to instigate any third person to commit any of the actions mentioned above.
9. The Bidder and their respective officers, employees, agents and advisers shall observe the highest standard of ethics during the Bidding Process. Notwithstanding anything to the contrary contained herein, the Authority may reject an Application without being liable in any manner whatsoever to the Applicant if it determines that the

Applicant has, directly or indirectly or through an agent, engaged in corrupt practice, fraudulent practice, coercive practice, undesirable practice or restrictive practice in the Bidding Process

For the purposes of this Clause 9, the following terms shall have the meaning herein after respectively assigned to them:

1. "fraudulent practice" means a misrepresentation or omission of facts or suppression of facts or disclosure of incomplete facts, in order to influence the Bidding Process ;
2. "coercive practice" means impairing or harming or threatening to impair or harm, directly or indirectly, any person or property to influence any persons participation or action in the Bidding Process;
3. "undesirable practice" means (i) establishing contact with any person connected with or employed or engaged by the Authority with the objective of canvassing, lobbying or in any manner influencing or attempting to influence the Bidding Process; or (ii) having a Conflict of Interest; and
4. "restrictive practice" means forming a cartel or arriving at any understanding or arrangement among Applicants with the objective of restricting or manipulating a full and fair competition in the Bidding Process.

Signature of Tenderer/Bidder

Annexure- C

(On Rs. 500/- Stamp Paper)

DECLARATION CUM INDEMNITY BOND

To,
The Municipal commissioner,
Brihanmumbai Municipal Corporation.

**Sub :- Electrification work of 11 new toilet blocks in O.C. Division.
Tender ID: - 2024_MCGM_1095361_1**

I, Shri. /Smt. _____, an Indian inhabitant, residing at _____ do hereby solemnly affirm, state and declare, indemnify and undertake as under:

OR

We m/s. _____, a proprietary firm of shri. _____ Having its office at _____, do hereby solemnly affirm, state and declare, indemnify and undertake as under:

OR

We m/s. a partnership firm duly signed registered under the Indian partnership act 1932 having their registered office at _____ do hereby solemnly affirm, state and declare, indemnify and undertake as under:

OR

We m/s. _____, a company incorporated under the provision of the companies act 1956 and having its registered office at _____, do hereby solemnly affirm, state and declare, indemnify and undertake as under:

OR

We m/s. _____, a joint venture / consortium of m/s. _____ and m/s. _____ duly registered under the Indian partnership act 1932, having their registered office at _____ do hereby solemnly affirm, state and declare, indemnify and undertake as under:

I /We say that as per approval of standing committee resolution No. _____ dated _____, I / We have been awarded the work of _____ (hereafter referred as the "contract work ") for the period of _____ (months / years) (including /excluding monsoon), contract cost amounting to Rs. _____ /- (Rupees _____ only) (including / excluding GST).Over and above the completion of contract period of (months / years) (including /excluding monsoon),

I /We say that I / We have, entered the contract agreement with the Brihanmumbai Municipal Corporation (BMC) duly executed on _____ and for the aforesaid contract work, I /We have paid the security deposit of Rs. _____ /- (Rupees _____ only) at the rate of _____ % of the total contract cost, by way of cash vide receipt no. _____ dated _____ / bank guarantee having no. _____ dated / Demand draft no. _____ dated _____ for due and faithful compliance of the terms and conditions of the tender document / contract agreement of the said contract work.

I /We say that ,BMC has also withheld the retention money from the R.A. Bills at the rate of % of the individual R.A. Bill, as security for due and faithful compliance of the terms and condition of the tender document / contract agreement of the said contract work.

I /We say that, I / We am/ are aware about the circular issued by the state government of Maharashtra under no. 1010/ 100/2020/ 12 dated 29.07.2020 in order to overcome the crises of covid-19 pandemic.

I /We say that, I / We am/ are also aware about the latest circular under no. CA(Finance)/ project/ 21 dated 07.08.2020 issued by BMC , in lieu of the aforesaid circular of state government and in order to help / exempt/ refund the contractors, the contract security deposit / retention money is restricted to 2% of the total contract cost , for completing the ongoing BMC , works, within the prescribed time limit.

I/We Say that, I/We have gone through the aforesaid circular with Annexures therein issued by BMC and I/We agree to the reduction in Contract Deposit amount Retention Money Deposit, at offset rate as per working in the aforesaid circular of BMC.

I/We said that, due to said reduction in Contract Deposit amount/Retention Money, I/We got the financial benefits and hence, hereby agree to give BMC, the offset in contract rate (_____) as accepted by BMC while allotting contract work to Me/Us.

I/We hereby authorize BMC to reduce the contract rate (_____) from _____ to _____ and further agree to give the said offset, even if any changes in the tax structure.

I/We say and undertake that, in future if any saving incurred in contract period /contract sum then as per said circular and I/We am/are ready to give consent recover the entire/balance off set amount from my Final bill or my final dues pending with BMC.

I/We hereby submit my/our Undertaking-Cum-Indemnity bond, to abide by the said circular and Annexures therein issued under no. CA(Finance)/Project/21 dated 07.09.2020.

I/We am/are aware that the suspension or revocation or termination of this contract Agreement, for any reason whatsoever shall no prejudice or affect any claim or demand whatsoever of the municipal commissioner or any authority of the BMC here under , nor shall I/We be entitled in the event of the suspension or revocation of this contract agreement to any refund of any payment whatsoever made by me / us hereunder.

I/ We hereby declare and indemnify save and harmless the BMC , its officers, servants, and agents and the municipal commissioner from and against all actions, acts, costs, suits, claims, damages, demands, of any nature and kind whatsoever , which may be instituted claimed or made against the BMC, its officers, servants and agents and the municipal Commissioner by any person or persons, any third party or legal entity by reasons of the BMC and/or the Municipal Commissioner having reduced the Contract Deposit amount/Retention Money deposit and I/We reduced the contract rate (_____) from _____ to _____.

I/We say that, this Undertaking-cum-Indemnity Bond are and shall be deemed to form part of the Contract Agreement dated _____ and shall be read and constructed to be part of the Contract Agreement _____ and violations of any of the terms and condition of the aforesaid Undertaking-cum-Indemnity Bond will be treated as breach of the Contract Agreement dated _____ and will be dealt accordingly.

I/We say and undertake that I/We shall be liable to civil as well as criminal prosecution in the event information submitted by me/us are found to be fake/false and/or incorrect and in such case not only the security Deposit/Retention Money paid by me/ us shall be forfeited by BMC, but BMC shall also be entitled to initiate appropriate legal/penal action against me/us.

I/We say that the Undertaking-cum-indemnity bond is binding on me/us my/our legal heirs/executors, administrators, successors and assigns.

I/We hereby undertake that the copy of the Aadhar card and/or Pan Card/Registration Certificate submitted toward my/our identification belongs to me/us.

I/We state on solemn affirmation that whatever stated herein above is true to my/our own knowledge and I/We believe the same to be true.

Place :-

Date :-

Signature of Tenderer/Bidder

BANKERS GURANTEE IN LIEU OF CONTRACT DEPOSIT

THIS INDENTURE made this _____ day of _____ BETWEEN

THE _____ BANK incorporated under the English/Indian Companies Acts and carrying on business in Mumbai (hereinafter referred to as 'the bank' which expression shall be deemed to include its successors and assigns) of the first part _____ inhabitants carrying on business at _____ in Mumbai under the style and name of Messer's _____ (hereinafter referred to as 'the consultant') of the second part Shri. _____

THE MUNICIPAL COMMISSIONER FOR BRIHANMUMBAI (hereinafter referred to as 'the commissioner' which expression shall be deemed, also to include his successor or successors for the time being in the said office of Municipal Commissioner) of the third part and THE BRIHANMUMBAI MUNICIPAL CORPORATION (hereinafter referred to as 'the Corporation') of the fourth part WHEREAS the consultants have submitted to the Commissioner tender for the execution of the work of " _____ and the terms of such tender /contract require that the consultants shall deposit with the Commissioner as/contract deposit/ earnest money and /or the security a sum of Rs. _____ (Rupees _____) AND WHEREAS if and when any such tender is accepted by the Commissioner, the contract to be entered into in furtherance thereof by the consultants will provide that such deposit shall remain with and be appropriated by the Commissioner towards the Security -deposit to be taken under the contract and be redeemable by the consultants, if they shall duly and faithfully carry out the terms and provisions of such contract and shall duly satisfy all claims properly chargeable against them there under AND WHEREAS the consultants are constituents of the Bank and in order to facilitate the keeping of the accounts of the consultants, the Bank with the consent and concurrence of the consultants has requested the Commissioner to accept the undertaking of the Bank hereinafter contained, in place of the contractors depositing with the Commissioner the said sum as earnest money and /or security as aforesaid AND WHEREAS accordingly the Commissioner has agreed to accept such undertaking NOW THIS AGREEMENT WITNESSES that in consideration of the premises, the Bank at the request of the consultants (hereby testified) UNDERTAKES WITH the commissioner to pay to the commissioner upon demand in writing , whenever required by him , from time to time , so to do , a sum not exceeding in the whole Rs. _____ (Rupees _____) under the terms of the said tender and /or the contract .The B.G. Is valid up to _____ "Notwithstanding anything what has been stated above, our liability under the above guarantee is restricted to Rs. _____ only and guarantee shall remain in force up to _____ unless the demand or claim under this guarantee is made on us in writing on or before _____ all your right under the above guarantee shall be forfeited and we shall be released from all liabilities under the guarantee thereafter"

IN WITNESS WHEREOF

WITNESS(1) _____

Name and _____

address _____

WITNESS(2) _____

Name and _____ the duly constituted Attorney Manager

address _____

the Bank and the said Messer's _____

_____ (Name of the Bank)

WITNESS(1) _____

Name and _____

address _____

WITNESS(2) _____

Name and _____

For Messer's _____

address _____

have here into set their respective hands the day and year first above written.

The amount shall be inserted by the Guarantor, representing the Contract Deposit in Indian Rupees.

Annexure- D**Rate Analysis****Item Description**

Sr. No.	Description of rate analysis parameters (Rate should be exclusive of all taxes)	Unit	Quantity	Rate	Amount
1	Basic Material (Rate should be exclusive of all taxes)				
2	Machinery Hire Charges OR Equipment/Tools Charges				
3	Labour Type				
4	Total of all components				
5	Overhead & Profit 15% on (4)				
6	Total Rate (4+5)				
7	Per unit rate (Rate should be exclusive of all taxes)				

Sign & Seal of the Tenderer

Annexure E

Irrevocable Undertaking

(On Rs. 500/- Stamp Paper to be submitted by lowest bidder after opening of C packet)

Sub :- Electrification work of 11 new toilet blocks in O.C. Division.

Tender ID: - 2024_MCGM_1095361_1

I Shri/Smt.....aged,years Indian Inhabitant, Proprietor/ Partner / Director of M/sresident at
..... do hereby give Irrevocable undertaking as under:

- I say & undertake that as specified in section 171 of CGST Act, 2017, any reduction in rate of tax on supply of goods or services or the benefit of input tax credit shall be mandatorily passed on to BMC by way of commensurate reduction in prices.
- I further say and undertake that I understand that in case the same is not passed on and is discovered at any later stage , BMC shall be at liberty to initiate legal action against me for its recovery including, but not limited to, an appeal to the Screening Committee of the GST counsel.
- I say that above said Irrevocable Undertaking is binding upon me/my partners/company /other Directors of the company and also upon my / our legal heirs, assignee, Executor, administrator etc.
- If I fail to compliance with the provisions of GST Act, I shall be liable for penalty / punishment or both as per the provisions of GST act.

Whatever has been stated here in above is true & correct to my own knowledge and belief.

Solemnly affirmed at

DEPONANT

This day of

BEFORE ME

Interpreted Explained and Identified by me

Special Annexure' A'**Tax**

The tenderer shall quote inclusive of all taxes other than GST (Excluding GST), Levies, Duties, Cess etc as applicable at the time of bid submission. GST as applicable shall be paid separately on submission of bills/invoice.

Input Tax Credit of GST as available with the bidder will not be claim separately by BMC. However, while quoting the rates benefit of Input Tax Credit or Exemption shall be passed on to the BMC by way of equivalent reduction in quoted price.

"As per CA/Finance/Project/City/17 dtd06.09.2017 "Chapter XXI-Miscellaneous section 171(1) of GST Act, 2017 governs the 'Anti Profiting Measure' (AMP). As per the provision of this section, 'Any reduction in rate of tax on any supply of goods or services or the benefit of input tax credit shall be passed on to the recipient by way of commensurate reduction in process.'

Accordingly, the contractor should pass on the complete benefit accruing to him on account of reduced tax rate or additional input tax credit, to BMC.

Further, all the provisions of GST Act will be applicable to the Tender"

PROFORMAS:**PROFORMA- I**

The list of similar works as stated in Post qualification (PQC) during last five years–

PROFORMA- I				
Sr. No.	Name of the Project	Name of the employer	Stipulated date of completion	Actual date of completion
1	2	3	4	5
1				
2				
3				
4				
5				

NOTE:

Scanned Attested copies of completion/performance certificates from the Engineer-in-Charge for each work should be annexed in the support of information furnished in the above proforma. Works shall be grouped financial year-wise.

PROFORMA- II

Yearly turnover of Works during the last five years.

PROFORMA- II				
Sr. No.	Financial Year	Annual Turnover of Civil Engineering Works	Updated value to current year	Average of last 5 years
1	2019-20			
2	2020-21			
3	2021-22			
4	2022-23			
5	2023-24			

NOTE: i) The above figures shall tally with the audited balance sheets uploaded by the tenderers duly certified by Chartered Accountant.

ii) The value of executed works shall be brought to current costing level by enhancing the actual value of work at compound rate of 10 % per annum; calculated from the date of completion to the date of issue of tenders.

PROFORMA- III

At least similar work, as stated in Post qualification Criteria,

PROFORMA- III						
Name of the Project	Name of the Employer	Cost of the Project	Date of issue of work Order	Stipulated Date of Completion	Actual Date of Completion	Actual cost of work done
1	2	3	4	5	6	7

Note: Scanned Attested copies of completion/performance certificates from the Engineer-in-charge for each work should be annexed in support of information furnished in the above proforma.

Proforma IV**PERSONNEL**

PROFORMA- IV				
Sr. No.	Post	Name	Nos. of Technical Staff	Work Experience
		(Prime Candidate/ Alternate)		No. of Years
1	Principal Technical Representative/ Site Engineer		1 staff with B.E.(Mech) OR 1 staff with D.M.E.	B.E.(Electrical) with min. 2 years experience OR D.E.E. with min. 5 years experience.

NOTE: Scanned Attested copies of qualification certificates and details of work experience shall be submitted /uploaded.

Proforma - V (Not Applicable)**MACHINERY: (for special work only)**

PROFORMA- V/A			
Sr. No.	Equipment	Number	Owned/Leased/Assured access
1	2	3	4

PROFORMA- V/B			
Sr. No.	Equipment	Number	Owned
1	2	3	4

Note: The tenderer(s) shall furnish/upload the requisite Scanned Attested documents of ownership/leased of machineries. The undertaking from the suppliers will not be accepted.

PROFORMA - VI

Details of Existing Commitments and ongoing works –

PROFORMA - VI / A						
Description of work	Place	Contract / WO No. & Date	Name & Addresses of employer	Value of Contract in Rs.	Scheduled date of completion	Value of work remaining to be completed
1	2	3	4	5	6	7

Note: Scanned Attested copies of completion/performance certificates from the Engineer-in-Charge for each work should be annexed in the support of information furnished in the above proforma.

Details of works for which bids are already uploaded –

PROFORMA - VI / B					
Description of work	Place	Name & Addresses of employee	Value of Contract in Rs.	Time Period	Date on which decision is expected
1	2	3	4	5	6

Note: Scanned Attested copies of certificates from the Engineer-in-charge for each work shall be annexed.

PROFORMA FOR THE UNDERTAKING TO
BE SUBMITTED BY THE QUOTIONER ON Rs.500/- STAMP PAPER
(As per circular no. DMC/CPD/OD/15 dt. 06.05.2013)

To,
The Municipal Commissioner,
For the Brihanmumbai Municipal Corporation

Sub :- Electrification work of 11 new toilet blocks in O.C. Division.
Tender ID: - 2024_MCGM_1095361_1

“I/We.....

(full name in capital letters, starting with surname), the Proprietor /Managing partner/Managing Director/Holder of the Business/Manufacturer/Authorized Dealer, for the establishment/firm/registered company, named herein below, do hereby, state and declare that I/We whose names are given herein below in details with the addresses have not filled in this tender under any other name or under the name of any other establishment / firm or otherwise, nor are we in any way related or concerned with any establishment / firm or any other person, who have filled in the tender for the aforesaid work”.

“I/We do hereby further undertake that, we have offered the best prices for the subject supply/work as per the present market rates. **Further, we do hereby undertake and commit that we have not offered/supplied the subject product /similar product / systems or sub systems in the past one year in the Maharashtra state for quantity variation up to -50% or +10% at a price lower than that offered in the present bid to any other outside agencies including Govt./Semi Govt. Agencies and within B.M.C. also.** Further, we have filled in the accompanying tender with full knowledge of the above liabilities and therefore we will not raise any objection or dispute in any manner relating to any action including forfeiture of deposit and blacklisting, for giving any information which is found to be incorrect and against the instructions and directions given in this behalf in this tender.

I/We further agree and undertake that in the event it is revealed subsequently after the allotment of work/contract to me/us, that any information given by me/us in this tender is false or incorrect, I/We shall compensate the Brihanmumbai Municipal Corporation for any such losses or inconvenience caused to the Corporation in any manner and will not resist any claim for such compensation on any ground whatsoever. I/We agree and undertake that I/We shall not claim in such case any amount by way of damages or compensation for cancellation of the contract given to me/us or any work assigned to me/us or is withdrawn by the corporation.”

However, in case of price difference, if it is a result of differential tax structures, different Dollar value of Rupee, differential logistic of transport etc. Considering this aspect, before invoking the penalty, blacklisting, I/we will be given a reasonable opportunity of being heard by representing our, case as to why such price variation/differential has been arisen.

In case if the explanation submitted by me/us is unsatisfactory then action including forfeiture of deposit & blacklisting may be taken against me/us.

Tenderer's Full name, signature and
Address with rubber stamp

Note : This affidavit should be given on Rs. 500/- stamp paper duly notarized by Notary with red seal and registration number.

UNDERTAKING FOR SITE VISIT**(On Rs. 500/- Stamp Paper to be submitted in Packet 'B')****Sub :- Electrification work of 11 new toilet blocks in O.C. Division.****Tender ID: - 2024_MCGM_1095361_1**

I _____ Proprietor / Partners/ Directors having my/ our office
address _____

do hereby state & undertake as follows.

I, say that I have submitted my tender for the work of

_____ having bid
invitation No. _____ for the Brihanmumbai Municipal Corporation

I affirm that, I have inspected the site of work before the submission of tender on date _____ &
reckoned all probable difficulties as could be reasonably foreseen by us as experienced contractors.
This is in pursuance of the relevant provision in this behalf in the conditions of contract which shall be
binding on us.

Place:

Dated:

Proprietor/Partners/Directors/POA Holder
(Seal of Firm/Co.)

Identified by me,

BEFORE ME

ON THEIR LETTER HEAD

Date: _____

To,

The Municipal Commissioner,
Brihanmumbai Municipal Corporation,
Mumbai.

**Sub :- Electrification work of 11 new toilet blocks in O.C. Division.
Tender ID: - 2024_MCGM_1095361_1**

Sir,

We, the undersigned hereby undertake that –

The work will be strictly carried out as per BMC's specification & requirements.

Yours faithfully,

Digital Signature & Rubber Stamp.

MUNICIPAL CORPORATION OF GREATER MUMBAI

No. : MGC/F/6565 dtd. 25-9-2018

CIRCULAR

Sub : Setting up the parameters of litigation history of the bidders.

As approved by Hon'ble M.C., the clause of litigation history be included as part of SBD as below :-

- 1) The bidder shall disclose the litigation history in Packet 'B' under the head "Details of Litigation History".

If there is no Litigation History, the bidder shall specifically mention that there is no Litigation History against him as per the clause of Litigation History. In case there is Litigation History -

Litigation History must cover – Any action of blacklisting, debarring, banning, suspension, deregistration and cheating with MCGM, State Govt., Central Govt. or any authority under State or Central Govt./Govt. organisation initiated against the company, firm, directors, partners or authorized signatory shall be disclosed for last 5 years from the date of submission of bid. Also, bidder must disclose the litigation history for last 5 years from the date of submission of bid about any action like show cause issued, blacklisting, debarring, banning, suspension, deregistration and cheating with MCGM and MCGM is party in the litigation against the company, firm, directors, partners or authorized signatory for carrying out any work for MCGM by any authority of MCGM and the orders passed by the competent authority or by any Court where MCGM is a party. While taking decision on litigation history, the concerned Chief Engineer or D.M.C. or Director, as may be the case, should consider the details submitted by bidder and take decision based on the gravity of the litigation and the adverse effect of the act of company, firm, directors, partners or authorized signatory on the MCGM works which can spoil the quality, output, delivery of any goods or any work execution and within the timeframe.

- 2) The litigation history shall be treated as curable defect and hence, the portion/clause of SBD, (C) Bid Capacity at Pg. 15 & in the chapter of 'Instructions to Applicants' at Pg. 31 of the SBD will be now corrected by deleting the word litigation history and shall be read as below.

C) Bid Capacity :

The bid capacity of the prospective bidders will be calculated as under: Assessed Available Bid Capacity = (A* N* 2 - B)

Where,

A = Maximum value of Civil Engineering works executed in any one year (year means Financial year) during the last five years (updated to the price level of the Financial year in which bids are received at a rate of 10% per year) taking into account the completed as well as works in progress.

N = Number of years prescribed for completion of the Project/Works, excluding monsoon period, for which these bids are being invited. (E.g. 7 months = 7/12 year). For every intervening monsoon, 0.33 shall be added to N.

B = Value of existing commitments (only allotted works) on the last date of submission of bids as per bidding document and on-going works to be completed during the period of completion of the Project/Works for which these bids are being invited.

Note: The statement showing the value of existing commitments and on-going works as well as the stipulated period of completion remaining for each of the works listed should be attached along with certificates duly signed by the Engineer-in Charge, not below the rank of an Executive Engineer or equivalent.

Even though the bidders meet the above qualifying criteria, they are subject to be disqualified if they have:

- made misleading or false representation in the forms, statements and attachments submitted in proof of the qualification requirements; and/or
- Record for poor performance such as abandoning the works, not properly completing the contract, inordinate delays in completion, ~~litigation history~~, or financial failures etc."

All the concerned are directed to implement the above directions with immediate effect.

o/c
Director (E. S. & P.)

City Engineer/Ch.Eng.(Roads & Traffic) / Ch.Eng. (Bridges) / H. E. / Ch.Eng. (WSP) /Ch.Eng.(S.P.) /Ch.Eng.(S.O.)/ Ch.Eng.(MSDP) / Ch.Eng. (BM) / Ch.Eng.(Vig) / Ch.Eng. (M&E) / Ch.Eng.(D.P.)/Ch.Eng.(SWD) / Ch.Eng. (Coastal Road) / Ch.Eng.(SWM) / Ch.Eng.(CTIRC)/Dy. Ch.Eng.(HIC) / Dy.Ch.Eng.(SIC), Supt. of Gardens/

Asstt. Comm. Ward / Asstt. Comm.(Markets) / Asstt. Comm. (Estate) / Asstt. Comm.(Planning) / Asstt. Comm.(R.E.) City/W.S./E.S.

No. DIR/ES & P/915/MC dtd. 27-9-2018

C.C. to : DMC(MCO)/ DMC (Imp.) / DMC(GA)/ DMC(Vig)/ DMC(SE) / DMC(E)/ DMC(CPD)/ DMC(SWM)/DMC (Education)/DMC (RE)/ DMC(PH)/ DMC(Z-I) / DMC(Z-II) / DMC(Z-III) / DMC(Z-IV) / DMC(Z-V)/ DMC(Z-VI)/ DMC(Z-VII) / C.A. (F) / C.A. (WSSD) / C.A. (C.P.D.) / Law Officer

Forwarded for information please. o/c

Director (E.S.& P.)

No. No. DIR/ES & P/915/MC dtd. 27-9-2018

C.C. to:

Submitted please. o/c

Director (E.S.& P.)

A.M.C.(City) / A.M.C.(E.S.) / A.M.C(W.S) / A.M.C(P)

Sir/Madam,

MUNICIPAL CORPORATION OF GREATER MUMBAI**CIRCULAR**

U/No.MGC/F/6342 dated 5.5.2018

Sub.: Revised guidelines regarding barricades being used during the execution of various infrastructure development projects by MCGM in Mumbai.

Various infrastructure development projects are being executed by MCGM for the betterment of citizens of Mumbai. During the course of execution of the projects, it is necessary to provide strong and secured barricading as a safety measure to avoid any mishaps as well as to avoid nuisance to vehicular and pedestrian traffic. Nowadays, the following types of barricades are being used exclusively in MCGM as per the convenience of various departments at different sites.

1. Water/sand fillable PVC Metro barricades.
2. RW 7.45 (G.I. sheets of 22 gauge fixed on 3 inch dia. Wooden bullies buried in existing road sufficiently)
3. RW 7.36 (G.I. sheets of 22 gauge fixed on MS Angle post buried in half the depth in drums of 20 litres capacity in 1:3:6 concrete)
4. Structural steel barricade for major trenches having depth more than 2.00 meters.

Thus from the above, it can be seen that there is no uniformity in provision of barricades as they are of different size and shape. Further it is also observed that the continuity is not maintained in providing the barricading keeping gaps in between thus endangering the safety of vehicular as well as pedestrian traffic. Also the barricades are not being cleaned, thus further adding to shabbiness. Further Mumbai being the financial capital of India, people from all over the world visit the city daily and to maintain good image of city the following decisions are taken.

The condition shall be included in the tender as given below. “
Barricading shall be provided free of cost as per Circular vide U/No.MGC/F/6342 dated 5.5.2018 and as per Annexure I, II and III of Standard drawings and specifications with slogans and department wise colour codes.” The copy of circular will be attached to the tender as a part of tender document.

This circular will be applicable for the new tenders proposed to be invited from 01.06.2018 and also the corrigendum shall be attached to tenders which are uploaded. However, for the projects wherein the tenders are already invited, the barricading shall be provided strictly as per tender condition. All the details (Annexure I, II & III of Standard drawings and specifications with slogans and department wise colour codes, sketches and department wise colour coding) are uploaded on MCGM portal.

This circular shall come in force with immediate effect.

sd/- 20.4.2018
(Shri V.P. Chithore)
Dir.(ES&P)

sd/- 20.4.2018
(Shri R. B. Bambale)
D.M.C.(S.E.)

sd/- 21.4.2018
(Shri Vijay Singhal)
A.M.C.(E.S.)

sd/- 21.4.2018
(Dr. Shri Sanjay Mukherjee)
A.M.C.(P.)

sd/- 5.5.2018
(Shri Ajoy Mehta)
M. C.

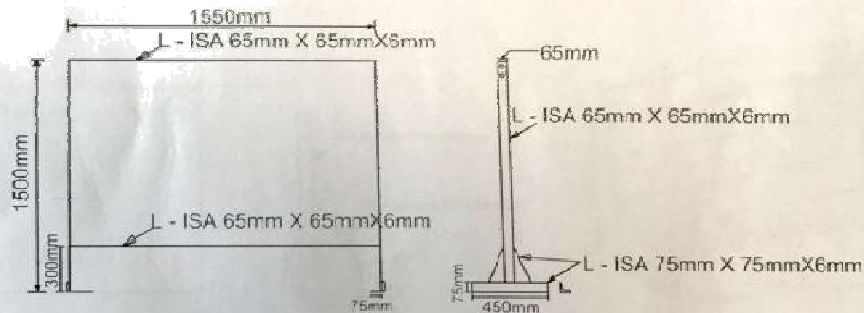
sd/- 16.5.2018
(Shri V.P. Chithore)
Dir.(ES&P)

sd/- 16.5.2018
(Shri P. R. Kadam)
D.M.C.(S.E.)

ANNEXURE I

A) Minor work

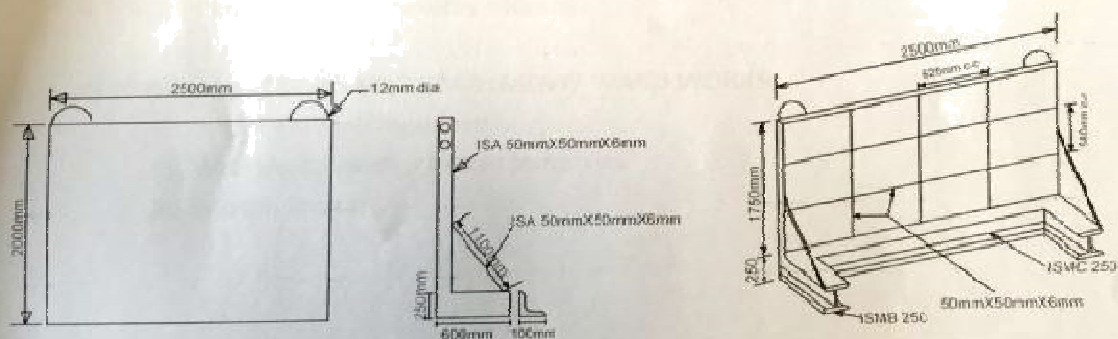
Providing, fabricating and installing the barricading made out of 1.5 m high M.S. Angle post of 65 mm X 65 mm X 6 mm with 1.5 mm thick M.S. Sheet of size 1.55 m X 1.2 m welded to the M.S. angle post/ frames and fixed to 75mm X 75mm X 6 mm angle base as shown in sketch for minor works, displaying of the social slogan as per the Annex- III, daily cleaning of the same to get better appearance and interlocking arrangement to ensure continuity in provision and to avoid gap in between etc complete and as directed by Engineer in-charge.



ANNEXURE II

B) Major works:

Providing, fabricating and installing the structural steel barricading made out of 1.5 mm thick M.S. plate of size 2500 mm X 2000 mm, ISMC 250 X 51 channels, M.S. Angles ISA 50 X 50 X 6mm and ISMB 250 as per IS 1161-1 RHS/SHS rolled angle plates of TATA Steel, Lloyd Steel, SAIL, ESSAR steel approved in straight profile of all sizes, shapes and for all works including rivets, bolts and nuts, fillet / butt welding, splicing, machine grinding, of all member joints wherever required to give neat appearance and daily cleaning the barricading along with displaying of the Departmental slogans as given in Annexure - III etc with interlocking arrangement to avoid gap in between and as directed by Engineer in-charge.



Office of the DMC CPD,
Central Purchase Department,
569, N.M. Joshi Marg, Byculla, Mumbai-400 011.

No. DyChE/ CPD/ 2025 / dt. 01/09/2021

CIRULAR

Sub: Formation of Grievance Redressal Committee (GRC)
to address grievances from bidders.

Ref.: MGC/F/4961 dated 09/08/2021.

Hon. M.C.'s accorded sanction under reference to form Grievance Redressal Committee (GRC) to address grievances from the bidders regarding responsiveness/non-responsiveness in Packets 'A', 'B' or 'C' in all the tenders. Therefore, all HOD's are requested to incorporate following condition in all the tenders;

Grievance Redressal Committee (GRC)

1. If a Bidder is not satisfied with the decision of responsiveness/ non responsiveness in Packets 'A', 'B' or 'C', by the concerned HOD, he may appeal to D.M.C. (C.P.D.) by paying fee of Rs. 25,000/-.
2. D.M.C. (C.P.D.) will assign the work of co-ordination of various activities and administration work of G.C.R. to nominated Registrar – Shri. Uday B. Mande.
3. The Committee for hearing grievances and passing orders will be constituted as follows:
 - (a) The Committee will comprise of D.M.C. / Director / Jt.M.C. of tender inviting department and D.M.C. / Director / Jt.M.C. of the department for which tender is being invited.

For example, if tender is invited by C.P.D. dept, for K.E.M. Hospital then the Committee will be of DMC(CPD) and DMC (PH).
 - (b) In case the tender inviting department and department for which tender is being invited are same then the concerned DMC/ Director/ Jt.M.C. of the same department and DMC(CPD) will be the members of the Committee.

For example, if tender is invited by Dean (KEM) for KEM Hospital then the Committee will be DMC (PH) and DMC(CPD).

बृहन्मुंबई महानगरपालिका

परिपत्रक

२०२३-२०२४

क्र. सीए/एफआरजी/१८ दिनांक २७.०२.२०२४

विषय:- महानगरपालिकेच्या विविध खात्यांमार्फत मागविण्यात येणा-या अनस्टार दरपत्रिका / निविदा / दरपत्रिका / ई-दरपत्रिका / ई-निविदा दस्तऐवजांच्या किमतीच्या दरात वाढ करण्याबाबत

- संदर्भ:- १) परिपत्रक क्र.सीए/एफआरजी/०३ दि. ११.०५.२०२३
२) परिपत्रक क्र.सीए/एफआरजी/०४ दि.२४.०५.२०२३
३) परिपत्रक क्र.सीए/एफआरजी/१० दि. १९.१०.२०२३

बृहन्मुंबई महानगरपालिकेच्या विविध खात्यांमार्फत मागविण्यात येणाऱ्या अनस्टार दरपत्रिका / निविदा / दरपत्रिका / ई-दरपत्रिका / ई-निविदा दस्तऐवज याबाबत आकारावयाचे छाननी शुल्क उपरोक्त संदर्भ क्र. ०१ वरील परिपत्रकानुसार दिनांक ११.०५.२०२३ पासून दिनांक ३१.०३.२०२४ पर्यंत आकारण्याबाबत निर्देश देण्यात आले होते. तसेच उपरोक्त संदर्भ क्र. १ च्या परिपत्रकात मा. अतिरिक्त आयुक्त (प्रकल्प) यांच्या मंजूरी अन्वये वेळेवेळी सुधारणा करून उपरोक्त संदर्भ क्र. २ व ३ ची परिपत्रके निर्गमित करण्यात आली आहेत.

दिनांक ११.०५.२०२३ पासून लागू करण्यात आलेल्या अनस्टार दरपत्रिका / निविदा / दरपत्रिका / ई-दरपत्रिका / ई-निविदा दस्तऐवजांकरिता आकारावयाच्या छाननी शुल्क दरांमध्ये परिपत्रक क्र. सीए/एफआरएम/७ दि. ०३.०५.२०२१ व परिपत्रक क्र. सीए/एफआरएम/४९ दि. ०७.०२.२०१३ अन्वये सन २०२४-२५ या वर्षामध्ये १०% वाढ करण्यात येत आहे. तसेच महानगरपालिकेचे वस्तू व सेवाकर सल्लागार एकबोटे देशमुख अँड कंपनी यांच्या दि. १८.०४.२०२३ रोजी प्राप्त झालेल्या अभिप्रायानुसार सदर छाननी शुल्कावर (Scrutiny Fee) १८% दराने वस्तू व सेवाकर लागू आहे. त्यानुसार आकारावयाच्या छाननी शुल्काचे सुधारित दर खालीलप्रमाणे आहेत :-

J-67683
(1-3)

अनु क्र.	स्वारस्याची अभिव्यक्ती प्रस्ताव/ मालाचा पुरवठा/ सल्लागार सेवासह स्थापत्य कामे आणि सेवा इत्यादी विषयक कार्यालयीन अंदाजे रक्कम	अनस्टार दरपत्रिका/निविदा/दरपत्रिका/ ई-दरपत्रिका/ ई-निविदा दस्तऐवजांचे विद्यमान छाननी शुल्क (दि. ११.०५.२०२३ पासून दि. ३१.०३.२०२४ पर्यंत)	दि. ०१.०४.२०२४ पासून दि. ३१.०३.२०२५ पर्यंत मागविण्यात येणाऱ्या अनस्टार दरपत्रिका/निविदा/दरपत्रिका/ ई-दरपत्रिका/ ई-निविदा दस्तऐवजांचे सर्व देकारदारांकडून वसूल करावयाचे छाननी शुल्क
०१	रु. ०३ लाखापर्यंत	रु. ३००/- + १८% वस्तू व सेवाकर	रु. ३३०/- + १८% वस्तू व सेवाकर
०२	रु. ३,००,००१/- ते रु. ५,००,०००/-	रु. ६००/- + १८% वस्तू व सेवाकर	रु. ६६०/- + १८% वस्तू व सेवाकर
०३	रु. ५,००,००१/- ते रु. १०,००,०००/-	रु. १,२००/- + १८% वस्तू व सेवाकर	रु. १,३२०/- + १८% वस्तू व सेवाकर
०४	रु. १०,००,००१/- ते रु. २५,००,०००/-	रु. ३,०००/- + १८% वस्तू व सेवाकर	रु. ३,३००/- + १८% वस्तू व सेवाकर
०५	रु. २५,००,००१/- ते रु. ५०,००,०००/-	रु. ६,०००/- + १८% वस्तू व सेवाकर	रु. ६,६००/- + १८% वस्तू व सेवाकर
०६	रु. ५०,००,००१/- ते रु. १,००,००,०००/-	रु. १२,०००/- + १८% वस्तू व सेवाकर	रु. १३,२००/- + १८% वस्तू व सेवाकर
०७	रु. १,००,००,००१/- ते रु. २५,००,००,०००/-	रु. १५,०००/- + १८% वस्तू व सेवाकर	रु. १६,५००/- + १८% वस्तू व सेवाकर

०८	रु. २५,००,००,००१/- पेक्षा जास्त	रु. २५,०००/- + १८% वस्तू व सेवाकर	रु. २७,५००/- + १८% वस्तू व सेवाकर
----	---------------------------------	-----------------------------------	-----------------------------------

अनस्टार दरपत्रिका/ निविदा/ दरपत्रिका/ ई-दरपत्रिका/ई-निविदा दस्तऐवजांकरिता छाननी शुल्काचे सुधारीत दर दि. ०१.०४.२०२४ ते दि. ३१.०३.२०२५ पर्यंत लागू राहतील.

तरी सर्व खाते प्रमुख/सहाय्यक आयुक्त / रुग्णालय प्रमुख / अधिष्ठाता यांनी त्यांच्या अखत्यारीतील संबंधित कर्मचारी वृंदाना उपरोक्त सुचनेची काटेकोरपणे अंमलबजावणी करण्याचे तसेच दिनांक ०१.०४.२०२४ पासून मागविण्यात येणाऱ्या अनस्टार दरपत्रिका / निविदा / दरपत्रिका / ई-दरपत्रिका / ई-निविदा दस्तऐवजांकरिता या परिपत्रकातील सुधारीत किंमतीनुसार दर आकारण्याचे निदेश द्यावेत.

सही/- २१.०३.२०२४
श्री. प्रदीप भा. पडवळ
प्रमुख लेखापाल (वित्त) प्र.

परिपत्रक

२०२३-२४

क्र.सीए/एफआरजी/१८ दिनांक २७.०२.२०२४

प्रत (जादा प्रतीसह) यांना माहितीकरिता व पुढील
आवश्यक त्या कार्यवाहीकरिता अग्रेषित.

DBagwe
०१/३/२०२४
प्रमुख लेखापाल (वित्त) यांजकरिता

BRIHANMUMBAI MUNICIPAL CORPORATION**Circular**

No. CA/Finance/Project/19 , Date 04.03.2024

Subject - Revised guidelines for payment of EMD for tenders to be uploaded on Mahatender Portal.

Ref - 1. MDD/7878, dt.27.09.2016.
2. Dir./IT/F-59, dt.10.05.2023.
3. Dir./IT/505038 , dt.19.12.2023

As per the guideline issued vide circular mention in reference no. 2 & 3, all department are directed to use Mahatender for all the tenders above 25 lacs with effect from 15th June 2023, and for tenders below 25 lacs with effect from 21st December 2023 respectively. Accordingly all departments of BMC shall use e-Procurement System of Government of Maharashtra (Mahatender). Further, it has been directed that, all BMC department will have to follow the standard procedures of the said e-Tendering system of GoM and make relevant changes in their respective tender documents.

For participating in bidding process, bidders are required to deposit Earnest Money Deposit (EMD) through the payment gateways while submitting the bids. In BMC's tenders, in some cases, as per the relevant clause of tender, 10% of EMD amount has to be forfeited. Further, in some cases, for more than 2 curable-defects shortfalls, 2% of EMD per instance is forfeited. However, in Mahatender System, there is no such provision of partial forfeiture of EMD amount. Hence, the existing condition of partial forfeiture of EMD elaborated above needs to be modified. Further, the work of modifying Standard Bid Document of BMC under chairmanship of DMC (Infra) is under progress. Final decision regarding partial forfeiture of EMD will be taken by the committee. However, till then, to streamline the process of bidding, interim instructions regarding EMD are as follows;

1) Mode of payment of EMD

A tenderer shall pay entire amount of EMD through payment gateways of GoM on URL <http://mahatenders.gov.in>. The bidder shall upload scan copy of online paid EMD along with the bid submission in packet 'A'.

Any bid not accompanied by an acceptable Bid Security shall be rejected by the Employer as non-responsive.

2) If non-responsive;

If the bidder is found non-responsive after scrutiny of packet 'A'/'B', in such circumstances, **the bidder will be made non-responsive and financial packet 'C' of non-responsive bidder will not be opened. However, there will not be any forfeiture of EMD.**

3) Shortfalls:-

Maximum 5 shortfalls of curable defects shall be allowed and in case, curable defects are not compiled by bidder within given time period, the bidder shall be treated as 'Non-Responsive' & such cases will be informed to Registration and Monitoring Cell. Such non-submission of documents will be considered as 'Intentional Avoidance' and if three or more cases in 12 months are reported, shall be viewed seriously and disciplinary action against the defaulters such as banning/de-registration, etc. shall be taken by Registration Cell with due approval of the concerned AMC.

4) Refund of EMD :-

- c) Except successful bidder all other unsuccessful bidders' 100% EMD paid online will be refunded automatically.
- d) The Bid security of successful bidder will be discharged when the bidder has signed the agreement and /or furnish the required Security Deposits as elaborated in Standard Bid Document.

5) Forfeiture of Entire EMD:-

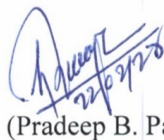
The existing conditions laid down in Standard Bid Document regarding forfeiture of entire bid security (EMD) shall remain unchanged.

These, interim-instructions will remain in force till the issuance of circular regarding amendment in SBD.

All the concerned Assistant Commissioners / HoDs shall note the above directives and to incorporate suitable clause in the draft tenders to be invited hereafter with immediate effect.



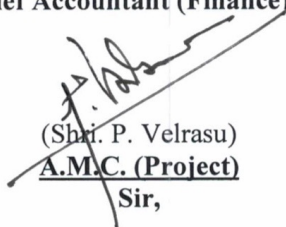
(Pandurang V. Gosavi)
Chief Accountant (W.S.S.D.)



(Pradeep B. Padwal)
Chief Accountant (Finance)i/c



(Shri. P. N. Gaikwad)
D.M.C. (Finance)
Sir,



(Shri. P. Velrasu)
A.M.C. (Project)
Sir,